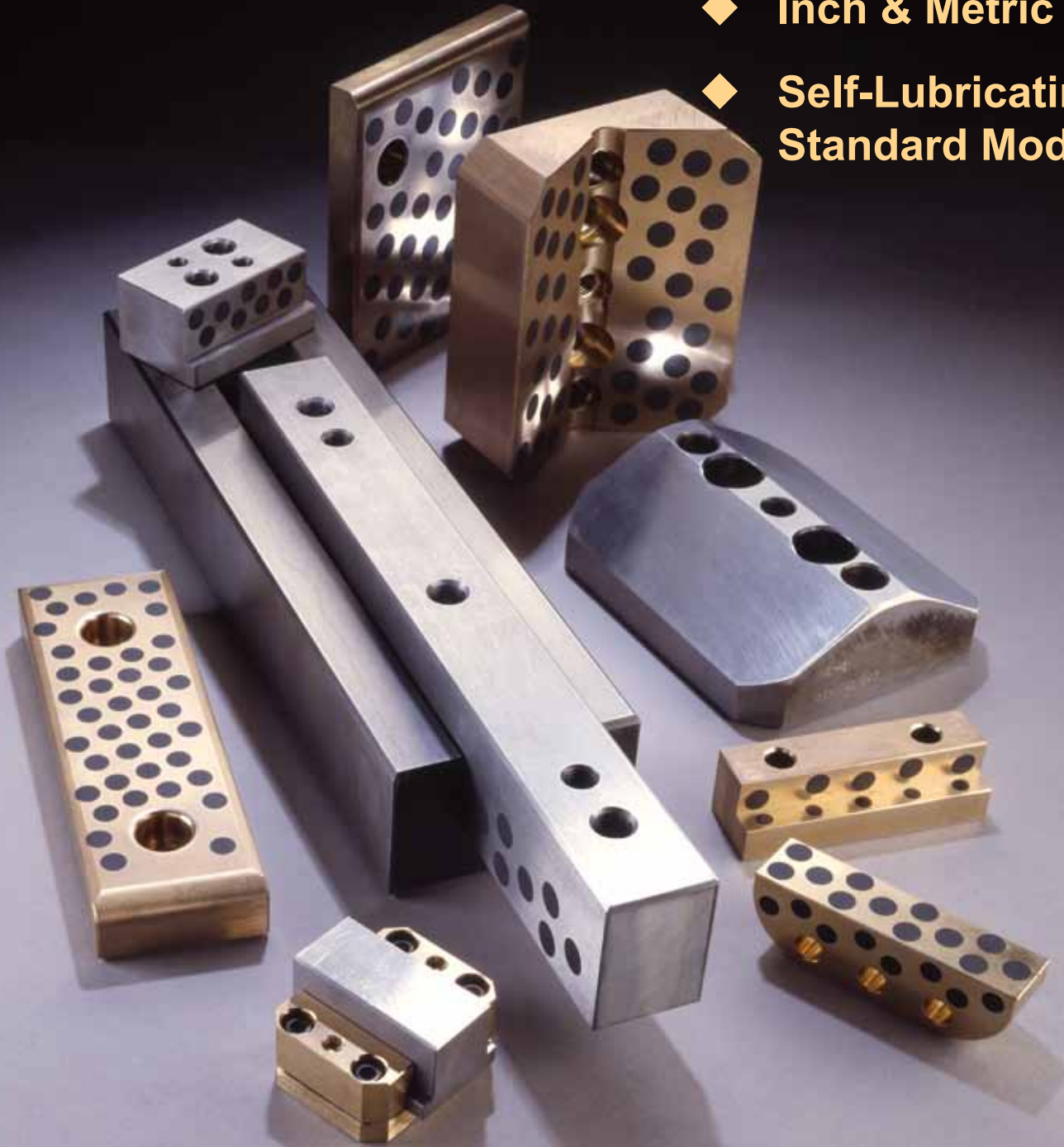




TRUSTED SOLUTIONS AND INNOVATION

WEAR PRODUCTS

- ◆ Inch & Metric Sizes
- ◆ Self-Lubricating & Standard Models



WEAR PRODUCTS

Service We Deliver and Quality You Can Depend On

DANLY IEM is a leading manufacturer of die component products supplied globally to the parts forming industry. Backed by years of tool and die experience, quality and innovation are some of the reasons why our name is respected throughout the world. We have taken the lead role in creating and bringing new products to customers and helping them find solutions that improve their operations. Based on the capabilities **DANLY IEM** offers, we can help you to meet the demands of quick deliveries, technical support, quality products and competitive prices. **DANLY IEM** and its' broad distribution channels and direct sales personnel will assist you in any way to make your product a better and more profitable one.

Whether standard or customized products, with our years of experience, customers can be sure the products they receive will meet their expectations for reliability and dependable performance. We understand the demanding schedules of die builders and production personnel and have developed efficient manufacturing processes to shorten product lead times as well as put inventory on our shelves so you can have it in your facility when you need it. Put the **DANLY IEM** network to work for you. We've got the service you've been looking for.

Included in our full line offering are both inch and metric size die components that are designed to numerous die standards including ISO, NAAMS, JIS and many large automotive and appliance manufacturers' standards. The complete product offering includes:

- Guide posts & bushings
- ISO and JIS Die springs
- In-die tapping units for both mechanical and hydraulic presses
- Formathane® Urethane springs, strippers, sheets, bars, rods and die cover film
- Diemakers' supplies such as pry bars, hoist rings, clamps and fasteners
- Standard and self-lubricating wear product including wear plate, wear strips, gibs, keeper plates and guide blocks
- Cam units, including Box and Bump styles
- Accubend™ Rotary Benders
- Posi-Bend™ Rotary Benders
- Pad retainers

CONTENTS

	PAGE NUMBER	
	<u>INCH</u>	<u>METRIC</u>
Wear Plates		
Wear Plate Installation & Selection Guide	1	
N-Series Standard & Self-Lubricating Wear Plates	2	
NAAMS Series W01, W02 & W03		
Standard & Self-Lubricating Wear Plates		4
JIS Series Standard & Self-Lubricating Wear Plates		6
NAAMS Series W05, W06 & W07/VDI 3357 Wear Plates		8
Automotive Wear Plate Conversions		10
Wearstrips		
Plain Bronze & Self-Lubricating Wearstrips		
with Mounting Holes	12	
Self-Lubricating Wearstrip Ways	15	
Plain Bronze & Self-Lubricating Wearstrips		
without Mounting Holes	16	
NAAMS Series Self-Lubricating Wearstrips		18
NW Series Self-Lubricating Wearstrips		20
Gibs & Gib Assemblies		
Self-Lubricating Gib Assemblies	21	
Self-Lubricating L-Gibs for Gib Assembly	22	
Self-Lubricating Baseplate for Gib Assembly	23	
Optional T-Slide for Gib Assembly	24	
Self-Lubricating Square Gibs	25	
Self-Lubricating L-Gibs	26	
Self-Lubricating L-Gibs		27
Self-Lubricating 10mm LIP Cam Slide Gibs		28
Self-Lubricating 13mm LIP Cam Slide Gibs		29
Guide Blocks		
Self-Lubricating U & V Blocks	30	
NAAMS U & V Blocks		32
Self-Lubricating 45mm Guide Blocks		34
Self-Lubricating 60mm Guide Blocks		36
Medium Duty Self-Lubricating Guide Blocks	38	
Self-Lubricating Metric Corner Guide Blocks		40
Self-Lubricating Center Key & Guide		41

CONTENTS

	PAGE NUMBER	
	<u>INCH</u>	<u>METRIC</u>
Keeper Plates & Blocks		
Self-Lubricating Keeper Plates	42	
Self-Lubricating Metric Keeper Plates		43
Light Duty K-Series Self-Lubricating Keeper Blocks	44	
Medium Duty KM-Series Self-Lubricating Keeper Blocks	46	
Heavy Duty KH-Series Self-Lubricating Keeper Block	48	
Self-Lubricating 6mm LIP Keeper Blocks		50
Self-Lubricating 13mm LIP Keeper Blocks		52
Cam Dwells		
Self-Lubricating Cam Dwell Wearplates	54	
Stop Blocks & Retainers		
Stop Blocks	55	
Pad Retainers – Locking, Standard Mount	56	
Pad Retainers – Locking, Standard Mount with Flats	58	
Pad Retainers – Locking, Reverse Mount with Flats	60	
Pad Retainers – Standard Mount		61
Pad Retainers – Reverse Mount		62

Wear Plate Installation & Selection Guide

Steel with Graphite Plugs & Bronze with Graphite Plugs

1. When installing and/or after cleaning, we recommend that a coat of 20 wt. oil be applied to the wear surface to help start the lubricating process.
2. If grinding is necessary, grind only the back or edges of the wear plate, not the plugged side of the wear plate.
3. It is not necessary to lubricate the wear plate after the initial coat of oil is applied.

Plain Steel & Steel with Graphite Plugs

1. It is important that wet grinding techniques be used if grinding is necessary.
2. When wet grinding, do not remove more than .0002" to .0004" (0.005 to 0.010mm) at each pass.

**FAILURE TO COMPLY WITH THESE RECOMMENDATIONS
MAY RESULT IN CRACKING OF THE WEAR PLATE**

Recommended Conditions for Maximum Performance

1. Bronze with graphite plugs against plain (ungrooved) steel.
2. Steel with graphite plugs against plain (ungrooved) steel.
3. Bronze with graphite plugs against cast die – not recommended if load exceeds 300 psi (20 bar).
4. Steel with graphite plugs against cast die – not recommended if load exceeds 200 psi (13.5 bar). Must have balanced load.

N-Series Standard & Self-Lubricating Wear Plates – Inch



Product Features

The N-Series of wear plate is manufactured to inch dimensions. They are 1" thick and available in both hardened steel and self-lubricating bronze materials. They are supplied with two to five mounting holes, dependent on the size, to accommodate 1/2" S.H.C.S. For ease of identification, all products are marked with the part number.

MATERIALS:

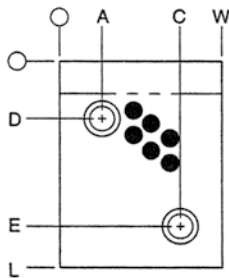
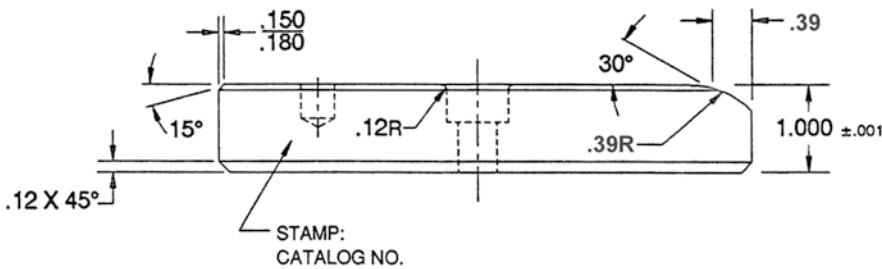
- ◆ Steel wear plates are manufactured from high quality carburized steel. They are precision ground and hardened to Rc 56-60 (0.05 to 0.06 inches deep).
- ◆ Self lubricating wear plates are manufactured from bronze material with oil impregnated graphite plugs. The graphite plugs are arranged to generate optimal coverage at any engagement direction of the wear plate.

TOLERANCES:

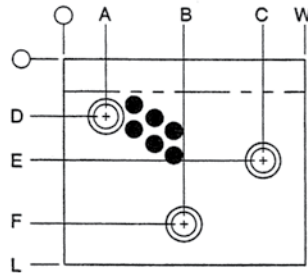
- ◆ Thickness ± 0.001 in.
- ◆ Mounting hole locations ± 0.010 in.
- ◆ Flatness ± 0.0005 in.
- ◆ Unless otherwise noted ± 0.010 in.

MOUNTING SCREWS:

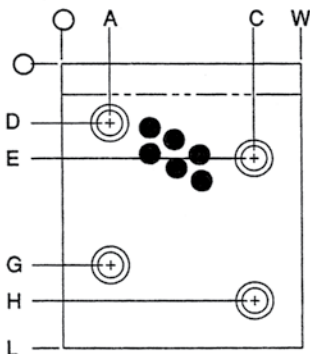
- ◆ 1/2" S.H.C.S. recommended for mounting. Plate has 9/16" through hole with 13/16" counterbore 0.56" depth.



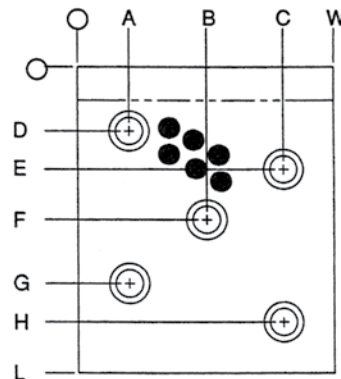
HOLE PATTERN A



HOLE PATTERN B



HOLE PATTERN C



HOLE PATTERN D

N-Series Standard & Self-Lubricating Wear Plates – Inch

Width W (in)	Length L (in)	Steel Part Number	Self- Lubricating Part #	Mounting Hole Pattern & Location									
				Hole Qty.	Hole Pattern	A (in)	B (in)	C (in)	D (in)	E (in)	F (in)	G (in)	H (in)
2.50	8.00	NSX82508	NYG82508	2	A	1.25	–	1.25	1.50	6.50	–	–	–
3	2.50	NSX83025	NYG83025	2	A	0.75	–	2.25	1.25	1.25	–	–	–
	4.00	NSX8304	NYG8304	2	A	0.75	–	2.25	1.25	2.75	–	–	–
	5.00	NSX8305	NYG8305	2	A	0.75	–	2.25	1.50	3.75	–	–	–
	6.00	NSX8306	NYG8306	2	A	0.75	–	2.25	1.50	4.50	–	–	–
	8.00	NSX8308	NYG8308	2	A	0.75	–	2.25	1.50	6.50	–	–	–
	10.00	NSX8310	NYG8310	3	B	0.75	1.50	2.25	1.50	2.50	8.50	–	–
	12.00	NSX8312	NYG8312	3	B	0.75	1.50	2.25	1.50	2.50	10.50	–	–
4	2.50	NSX84025	NYG84025	2	A	1.25	–	2.75	1.25	1.25	–	–	–
	3.00	NSX8403	NYG8403	2	A	1.00	–	3.00	1.50	2.25	–	–	–
	4.00	NSX8404	NYG8404	2	A	1.00	–	3.00	1.25	2.75	–	–	–
	5.00	NSX8405	NYG8405	2	A	0.88	–	3.12	1.50	3.75	–	–	–
	6.00	NSX8406	NYG8406	2	A	0.88	–	3.12	1.50	4.50	–	–	–
	8.00	NSX8408	NYG8408	3	B	0.88	2.00	3.12	1.50	2.50	6.50	–	–
	10.00	NSX8410	NYG8410	3	B	0.88	2.00	3.12	1.50	2.50	8.50	–	–
	12.00	NSX8412	NYG8412	3	B	0.88	2.00	3.12	1.50	2.50	10.50	–	–
5	2.50	NSX85025	NYG85025	2	A	1.25	–	3.75	1.25	1.25	–	–	–
	4.00	NSX8504	NYG8504	2	A	1.00	–	4.00	1.50	2.75	–	–	–
	5.00	NSX8505	NYG8505	2	A	1.00	–	4.00	1.50	3.75	–	–	–
	6.00	NSX8506	NYG8506	2	A	1.00	–	4.00	1.50	4.50	–	–	–
	8.00	NSX8508	NYG8508	3	B	1.00	2.50	4.00	1.50	2.50	6.50	–	–
	10.00	NSX8510	NYG8510	3	B	1.00	2.50	4.00	1.50	2.50	8.50	–	–
	12.00	NSX8512	NYG8512	4	C	1.00	–	4.00	1.50	2.50	–	9.50	10.50
6	4.00	NSX8604	NYG8604	3	B	1.00	3.00	5.00	1.25	2.25	2.75	–	–
	5.00	NSX8605	NYG8605	2	A	1.12	–	4.88	1.50	3.75	–	–	–
	6.00	NSX8606	NYG8606	4	C	1.00	–	5.00	1.25	2.25	–	3.75	4.75
	8.00	NSX8608	NYG8608	4	C	1.00	–	5.00	1.25	2.25	–	5.75	6.75
	10.00	NSX8610	NYG8610	5	D	1.00	3.00	5.00	1.25	2.25	5.00	7.75	8.75
	12.00	NSX8612	NYG8612	5	D	1.00	3.00	5.00	1.25	2.25	6.00	9.75	10.75
8	5.00	NSX8805	NYG8805	2	A	1.25	–	6.75	1.50	3.75	–	–	–
	6.00	NSX8806	NYG8806	4	C	1.00	–	7.00	1.25	2.25	–	3.75	4.75

NAAMS Series W01, W02 & W03

Standard & Self-Lubricating Wear Plates – Metric

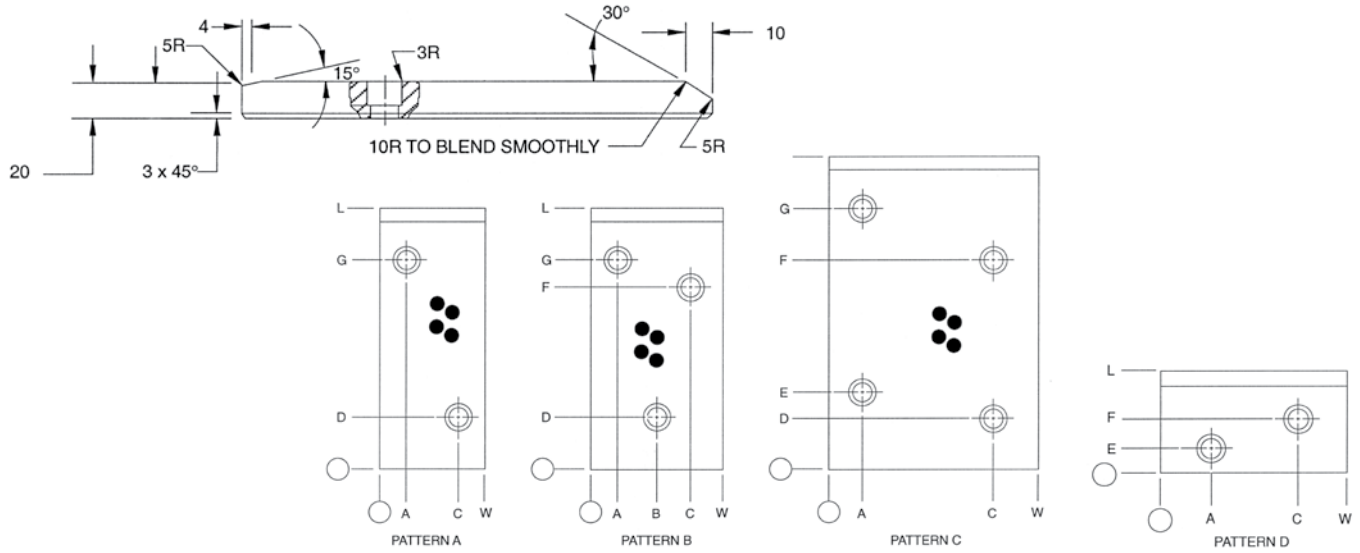


Product Features

The NAAMS Series of wear plate fully meets the North American Automotive Standard. They are 20mm thick and available in plain steel, steel with graphite plugs and bronze with graphite plugs. The bronze and steel with graphite plugs are self-lubricating products and do not require lubrication during production. All NAAMS wear plates are supplied with mounting holes to accommodate M12 S.H.C.S. For ease of identification, all products are marked with the part number.

Steel Without Graphite Plugs		Steel With Graphite Plugs		Bronze With Graphite Plugs		Width W (mm)	Length L (mm)
Part Number	NAAMS Code #	Part Number	NAAMS Code #	Part Number	NAAMS Code #		
WSX20-50-100	W 025010	WSG20-50-100	W 015010	WYG20-50-100	W 035010	50	100
WSX20-50-150	W 025015	WSG20-50-150	W 015015	WYG20-50-150	W 035015		150
WSX20-50-200	W 025020	WSG20-50-200	W 015020	WYG20-50-200	W 035020		200
WSX20-80-100	W 028010	WSG20-80-100	W 018010	WYG20-80-100	W 038010	80	100
WSX20-80-150	W 028015	WSG20-80-150	W 018015	WYG20-80-150	W 038015		150
WSX20-80-200	W 028020	WSG20-80-200	W 018020	WYG20-80-200	W 038020		200
WSX20-80-250	W 028025	WSG20-80-250	W 018025	WYG20-80-250	W 038025		250
WSX20-80-315	W 028031	WSG20-80-315	W 018031	WYG20-80-315	W 038031	100	315
WSX20-100-50	W 021050	WSG20-100-50	W 011050	WYG20-100-50	W 031050		50
WSX20-100-80	W 021080	WSG20-100-80	W 011080	WYG20-100-80	W 031080		80
WSX20-100-100	W 021010	WSG20-100-100	W 011010	WYG20-100-100	W 031010		100
WSX20-100-150	W 021015	WSG20-100-150	W 011015	WYG20-100-150	W 031015		150
WSX20-100-200	W 021020	WSG20-100-200	W 011020	WYG20-100-200	W 031020		200
WSX20-100-250	W 021025	WSG20-100-250	W 011025	WYG20-100-250	W 031025		250
WSX20-100-315	W 021031	WSG20-100-315	W 011031	WYG20-100-315	W 031031	125	315
WSX20-125-80	W 021280	WSG20-125-80	W 011280	WYG20-125-80	W 031280		80
WSX20-125-100	W 021210	WSG20-125-100	W 011210	WYG20-125-100	W 031210		100
WSX20-125-150	W 021215	WSG20-125-150	W 011215	WYG20-125-150	W 031215		150
WSX20-125-200	W 021220	WSG20-125-200	W 011220	WYG20-125-200	W 031220		200
WSX20-125-250	W 021225	WSG20-125-250	W 011225	WYG20-125-250	W 031225		250
WSX20-125-315	W 021231	WSG20-125-315	W 011231	WYG20-125-315	W 031231	160	315
WSX20-160-100	W 021610	WSG20-160-100	W 011610	WYG20-160-100	W 031610		100
WSX20-160-150	W 021615	WSG20-160-150	W 011615	WYG20-160-150	W 031615		150
WSX20-160-200	W 021620	WSG20-160-200	W 011620	WYG20-160-200	W 031620		200
WSX20-160-250	W 021625	WSG20-160-250	W 011625	WYG20-160-250	W 031625		250
WSX20-160-315	W 021631	WSG20-160-315	W 011631	WYG20-160-315	W 031631	315	

NAAMS Series W01, W02 & W03 Standard & Self-Lubricating Wear Plates – Metric



Width W (mm)	Length L (mm)	Mounting Hole Pattern & Location								
		Hole Qty.	Pattern	A (mm)	B (mm)	C (mm)	D (mm)	E (mm)	F (mm)	G (mm)
50	100	2	A	25	-	25	30	-	-	60
	150	2	A		-		30	-	-	110
	200	2	A		-		40	-	-	160
80	100	2	A	20	-	60	30	-	-	60
	150	2	A		-		30	-	-	110
	200	2	A		-		40	-	-	160
	250	2	A		-		40	-	-	210
	315	3	B		40		40	-	250	275
100	50	2	D	22	-	78	-	14	27	-
	80	2	D		-		-	30	50	-
	100	2	A		-		30	-	-	60
	150	2	A		-		30	-	-	110
	200	3	B		50		40	-	135	160
	250	3	B		50		40	-	185	210
	315	3	B		50		40	-	250	275
125	80	2	D	25	-	100	-	30	50	-
	100	2	A		-		30	-	-	60
	150	2	A		-		30	-	-	110
	200	3	B		62		40	-	135	160
	250	3	B		62		40	-	185	210
	315	4	C		-		40	65	250	275
160	100	2	A	30	-	130	30	-	-	60
	150	2	A		-		30	-	-	110
	200	3	B		80		40	-	135	160
	250	4	C		-		40	65	185	210
	315	4	C		-		40	65	250	275

MATERIALS:

- ◆ Steel wear plates are manufactured from high quality carburized steel. They are precision ground and hardened to Rc 56-60 (1.2 mm to 1.5 mm deep). They are available with or without graphite plugs.
- ◆ Bronze wear plates are manufactured from bronze material with oil impregnated graphite plugs.
- ◆ When ordered with graphite plugs, the plugs cover 25-30% of the wear surface and are arranged to generate optimal coverage at any engagement direction of the wear plate.

TOLERANCES:

- ◆ Thickness ± 0.025 mm
- ◆ Mounting hole locations ± 0.25 mm
- ◆ Flatness ± 0.012 mm
- ◆ Unless otherwise noted ± 0.25 mm

MOUNTING SCREWS:

- ◆ M12 S.H.C.S. recommended. Plate has 13.5mm through hole with 20mm counterbore 13mm deep.

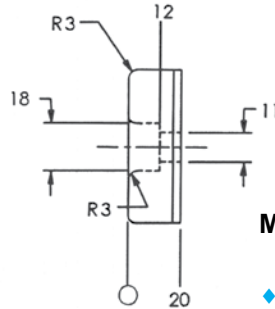
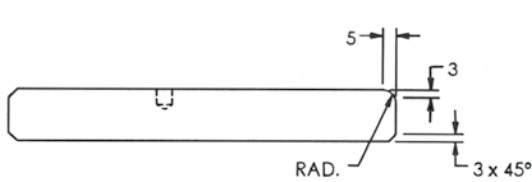
JIS Series Standard & Self-Lubricating Wear Plates – Metric



BYG20-58-75

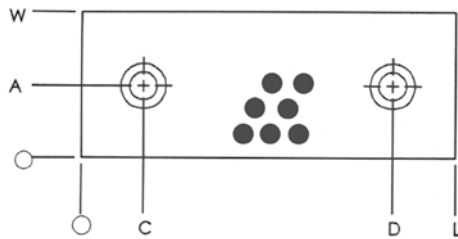
Product Features

The JIS Series of wear plate fully meets the Japanese Industrial Standard. They are 20mm thick and available in plain steel, steel with graphite plugs and bronze with graphite plugs. The bronze and steel with graphite plugs are self-lubricating products and do not require lubrication during production. They are supplied with two or four mounting holes to accommodate M10 S.H.C.S. For ease of identification, all products are marked with the part number.

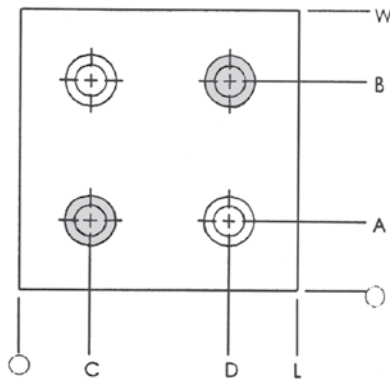


MATERIALS:

- ◆ Steel wear plates are manufactured from high quality carburized steel. They are precision ground and hardened to Rc 56-60 (1.2 mm to 1.5 mm deep). They are available with or without graphite plugs.
- ◆ Bronze wear plates are manufactured from bronze material with oil impregnated graphite plugs.
- ◆ When ordered with graphite plugs, the plugs cover 25-30% of the wear surface and are arranged to generate optimal coverage at any engagement direction of the wear plate.



PATTERN A



PATTERN B

TOLERANCES:

- ◆ Thickness ± 0.025 mm
- ◆ Mounting hole locations ± 0.25 mm
- ◆ Flatness ± 0.013 mm
- ◆ Unless otherwise noted ± 0.25 mm

MOUNTING SCREWS:

- ◆ M10 S.H.C.S. recommended. Plate has 11mm through hole with 18mm counter-bore 12mm deep.

JIS Series Standard & Self-Lubricating Wear Plates – Metric

Width W (mm)	Length L (mm)	Steel Part # Without Graphite Plugs	Steel Part # With Graphite Plugs	Bronze Part # With Graphite Plugs	Hole Qty.	Hole Pattern	A (mm)	B (mm)	C (mm)	D (mm)
28	75	BSX20-28-75	BSG20-28-75	BYG20-28-75	2	A	14.0	-	15.0	60.0
	100	BSX20-28-100	BSG20-28-100	BYG20-28-100					25.0	75.0
	150	BSX20-28-150	BSG20-28-150	BYG20-28-150					25.0	125.0
38	75	BSX20-38-75	BSG20-38-75	BYG20-38-75	2	A	19.0	-	15.0	60.0
	100	BSX20-38-100	BSG20-38-100	BYG20-38-100					25.0	75.0
	150	BSX20-38-150	BSG20-38-150	BYG20-38-150					25.0	125.0
48	75	BSX20-48-75	BSG20-48-75	BYG20-48-75	2	A	24.0	-	15.0	60.0
	100	BSX20-48-100	BSG20-48-100	BYG20-48-100					25.0	75.0
	125	BSX20-48-125	BSG20-48-125	BYG20-48-125					25.0	100.0
	150	BSX20-48-150	BSG20-48-150	BYG20-48-150					25.0	125.0
58	75	BSX20-58-75	BSG20-58-75	BYG20-58-75	2	A	29.0	-	15.0	60.0
	100	BSX20-58-100	BSG20-58-100	BYG20-58-100					25.0	75.0
	150	BSX20-58-150	BSG20-58-150	BYG20-58-150					25.0	125.0
75	75	BSX20-75-75	BSG20-75-75	BYG20-75-75	2	B	25.0	50.0	25.0	50.0
	100	BSX20-75-100	BSG20-75-100	BYG20-75-100					25.0	75.0
	125	BSX20-75-125	BSG20-75-125	BYG20-75-125	2	A	37.5	-	25.0	100.0
	150	BSX20-75-150	BSG20-75-150	BYG20-75-150					25.0	125.0
	200	BSX20-75-200	BSG20-75-200	BYG20-75-200					25.0	175.0
100	100	BSX20-100-100	BSG20-100-100	BYG20-100-100	4	B	25.0	75.0	25.0	75.0
	125	BSX20-100-125	BSG20-100-125	BYG20-100-125					25.0	100.0
	150	BSX20-100-150	BSG20-100-150	BYG20-100-150					25.0	125.0
	200	BSX20-100-200	BSG20-100-200	BYG20-100-200					25.0	175.0
	250	BSX20-100-250	BSG20-100-250	BYG20-100-250					25.0	225.0
125	150	BSX20-125-150	BSG20-125-150	BYG20-125-150	4	B	37.5	87.5	25.0	125.0
	200	BSX20-125-200	BSG20-125-200	BYG20-125-200					25.0	175.0
	250	BSX20-125-250	BSG20-125-250	BYG20-125-250					25.0	225.0
150	150	BSX20-150-150	BSG20-150-150	BYG20-150-150	4	B	25.0	125.0	25.0	125.0
	200	BSX20-150-200	BSG20-150-200	BYG20-150-200					25.0	175.0
	250	BSX20-150-250	BSG20-150-250	BYG20-150-250					25.0	225.0

NAAMS Series W05, W06 & W07/VDI 3357 Wear Plates – Metric



VYG20-50-200

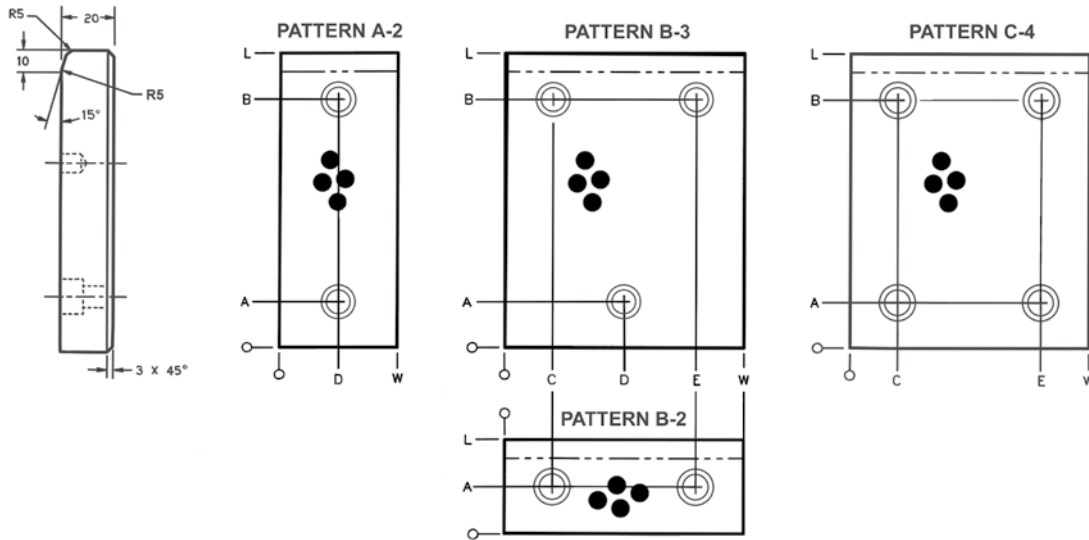
Product Features

This wear plate conforms to the NAAMS Series W05, W06, W07 and VDI 3357 standards, up to 200mm. They are 20mm thick and available in bronze material with graphite, steel with graphite and plain steel.

VDI/NAAMS STANDARDS

Width W (mm)	Length L (mm)	Bronze	Steel	Steel	Mounting Hole Pattern & Location						
		w/Graphite Plugs Part Number	w/Graphite Plugs Part Number	Plain Part Number	Hole Qty.	Hole Pattern	A (mm)	B (mm)	C (mm)	D (mm)	E (mm)
50	80	VYG20-50-80	VSG20-50-80	VSX20-50-80	2	A-2	25	55	–	25	–
	100	VYG20-50-100	VSG20-50-100	VSX20-50-100	2	A-2	25	75	–	25	–
	125	VYG20-50-125	VSG20-50-125	VSX20-50-125	2	A-2	25	100	–	25	–
	160	VYG20-50-160	VSG20-50-160	VSX20-50-160	2	A-2	25	135	–	25	–
	200	VYG20-50-200	VSG20-50-200	VSX20-50-200	2	A-2	25	175	–	25	–
80	50	VYG20-80-50	VSG20-80-50	VSX20-80-50	2	B-2	25	–	25	–	55
	80	VYG20-80-80	VSG20-80-80	VSX20-80-80	2	A-2	25	55	–	40	–
	100	VYG20-80-100	VSG20-80-100	VSX20-80-100	2	A-2	25	75	–	40	–
	125	VYG20-80-125	VSG20-80-125	VSX20-80-125	2	A-2	25	100	–	40	–
	160	VYG20-80-160	VSG20-80-160	VSX20-80-160	2	A-2	25	135	–	40	–
	200	VYG20-80-200	VSG20-80-200	VSX20-80-200	2	A-2	25	175	–	40	–
	250	VYG20-80-250	VSG20-80-250	VSX20-80-250	2	A-2	40	210	–	40	–
315	VYG20-80-315	VSG20-80-315	VSX20-80-315	2	A-2	40	275	–	40	–	
100	50	VYG20-100-50	VSG20-100-50	VSX20-100-50	2	B-2	25	–	25	–	75
	80	VYG20-100-80	VSG20-100-80	VSX20-100-80	2	B-2	40	–	25	–	75
	100	VYG20-100-100	VSG20-100-100	VSX20-100-100	2	A-2	25	75	–	50	–
	125	VYG20-100-125	VSG20-100-125	VSX20-100-125	2	A-2	25	100	–	50	–
	160	VYG20-100-160	VSG20-100-160	VSX20-100-160	2	A-2	25	135	–	50	–
	200	VYG20-100-200	VSG20-100-200	VSX20-100-200	2	A-2	25	175	–	50	–
	250	VYG20-100-250	VSG20-100-250	VSX20-100-250	2	A-2	40	210	–	50	–
	315	VYG20-100-315	VSG20-100-315	VSX20-100-315	2	A-2	40	275	–	50	–
125	50	VYG20-125-50	VSG20-125-50	VSX20-125-50	2	B-2	25	–	25	–	100
	80	VYG20-125-80	VSG20-125-80	VSX20-125-80	2	B-2	40	–	25	–	
	100	VYG20-125-100	VSG20-125-100	VSX20-125-100	3	B-3	25	75	25	62.5	
	125	VYG20-125-125	VSG20-125-125	VSX20-125-125	3	B-3	25	100	25	62.5	
	160	VYG20-125-160	VSG20-125-160	VSX20-125-160	3	B-3	25	135	25	62.5	
	200	VYG20-125-200	VSG20-125-200	VSX20-125-200	3	B-3	25	175	25	62.5	
	250	VYG20-125-250	VSG20-125-250	VSX20-125-250	3	B-3	40	210	25	62.5	
315	VYG20-125-315	VSG20-125-315	VSX20-125-315	3	B-3	40	275	25	62.5		
160	50	VYG20-160-50	VSG20-160-50	VSX20-160-50	2	B-2	25	–	25	–	135
	80	VYG20-160-80	VSG20-160-80	VSX20-160-80	2	B-2	40	–	25	–	
	100	VYG20-160-100	VSG20-160-100	VSX20-160-100	3	B-3	25	75	25	80	
	125	VYG20-160-125	VSG20-160-125	VSX20-160-125	3	B-3	25	100	25	80	
	160	VYG20-160-160	VSG20-160-160	VSX20-160-160	3	B-3	25	135	25	80	
	200	VYG20-160-200	VSG20-160-200	VSX20-160-200	3	B-3	25	175	25	80	
	250	VYG20-160-250	VSG20-160-250	VSX20-160-250	4	C-4	40	210	25	–	
	315	VYG20-160-315	VSG20-160-315	VSX20-160-315	4	C-4	40	275	25	–	

NAAMS Series W05, W06 & W07/VDI 3357 Wear Plates – Metric



MATERIALS:

- ◆ Self-lubricating wear plates are manufactured from bronze or steel with graphite plugs. The plugs cover 20-25% of the wear surface.
- ◆ Wear plates are also available in plain steel.

TOLERANCES:

- ◆ Thickness $\pm 0.00/ -0.02$ mm
- ◆ Mounting hole locations ± 0.2 mm
- ◆ Flatness ± 0.013 mm
- ◆ Unless otherwise noted ± 0.25 mm

MOUNTING SCREWS:

- ◆ M8 S.H.C.S. for part numbers VYG20-50-80 and VYG20-80-50.
- ◆ M12 S.H.C.S. for all other part numbers.

ADDITIONAL AUTOMOTIVE STANDARDS

Width W (mm)	Length L (mm)	Bronze w/Graphite Plugs Part Number	Steel w/Graphite Plugs Part Number	Steel Plain Part Number	Mounting Hole Pattern & Location						
					Hole Qty.	Hole Pattern	A (mm)	B (mm)	C (mm)	D (mm)	E (mm)
100	250	WDX13-80-03100250Y*	WDX13-80-03100250G*	WDX13-80-03100250X*	2	A-2	25	225	-	50	-
	250	90.20.65-100250Y*	-	90.20.65-100250X*	4	C-4	25	225	25	-	75
	315	WDX13-80-03100315Y*	WDX13-80-03100315G*	WDX13-80-03100315X*	2	A-2	25	290	-	50	-
125	200	90.20.65-125200*	-	90.20.65-125200*	4	C-4	25	175	25	-	100
	250	WDX13-80-03125250Y*	WDX13-80-03125250G*	WDX13-80-03125250X*	3	B-3	25	225	25	62.5	100
	250	90.20.65-125250Y*	-	90.20.65-125250X*	4	C-4	25	225	25	-	100
	315	WDX13-80-03125315Y*	WDX13-80-03125315G*	WDX13-80-03125315X*	3	B-3	25	290	25	62.5	100
160	200	90.20.65-160200Y*	-	90.20.65-160200G*	4	C-4	25	175	25	-	135
	250	WDX13-80-03160250Y*	WDX13-80-03160250G*	WDX13-80-03160250X*	3	B-3	25	225	25	80	135
	250	90.20.65-160250Y*	-	90.20.65-160250X*	4	C-4	25	225	25	-	135
	300	90.20.65-160300Y*	-	90.20.65-160300X*	4	C-4	25	275	25	-	135
200	200	90.20.65-200200Y*	-	90.20.65-200200X*	4	C-4	25	175	25	-	175
	250	90.20.65-200250Y*	-	90.20.65-200250X*	4	C-4	25	225	25	-	175
	300	90.20.65-200300Y*	-	90.20.65-200300X*	4	C-4	25	275	25	-	175

PLEASE NOTE:

- ◆ These wear plates have hole patterns that differ from our standard VDI/NAAMS wear plates. They must be ordered using the GM or Ford part number to receive the correct mounting hole locations.

Automotive Wear Plate Conversions

Dimensions		BRONZE WITH GRAPHITE PLUGS						STEEL WITH GRAPHITE PLUGS			
		Width	Length	Danly IEM Part Number	NAAMS W07 Series Number	Chrysler Part Number	Ford Part Number	General Motors Part Number	Danly IEM Part Number	NAAMS W05 Series Number	Ford Part Number
50	80	VYG20-50-80							VSG20-50-80		
50	100	VYG20-50-100	W070510	19-290-3204	WDX13803050100Y	90.20.65-50100Y			VSG20-50-100	W050510	WDX13803050100G
50	125	VYG20-50-125	W070512	19-290-3205	WDX13803050125Y	90.20.65-50125Y			VSG20-50-125	W050512	WDX13803050125G
50	160	VYG20-50-160	W070516	19-290-3206	WDX13803050160Y	90.20.65-50160Y			VSG20-50-160	W050516	WDX13803050160G
50	200	VYG20-50-200	W070520	19-290-3208	WDX13803050200Y	90.20.65-50200Y			VSG20-50-200	W050520	WDX13803050200G
80	50	VYG20-80-50							VSG20-80-50		
80	80	VYG20-80-80							VSG20-80-80		
80	100	VYG20-80-100	W070810	19-290-3304	WDX13803080100Y	90.20.65-80100Y			VSG20-80-100	W050810	WDX13803080100G
80	125	VYG20-80-125	W070812	19-290-3305	WDX13803080125Y	90.20.65-80125Y			VSG20-80-125	W050812	WDX13803080125G
80	160	VYG20-80-160	W070816	19-290-3306	WDX13803080160Y	90.20.65-80160Y			VSG20-80-160	W050816	WDX13803080160G
80	200	VYG20-80-200	W070820	19-290-3308	WDX13803080200Y	90.20.65-80200Y			VSG20-80-200	W050820	WDX13803080200G
80	250	VYG20-80-250		19-290-3310					VSG20-80-250		
80	315	VYG20-80-315		19-290-3312					VSG20-80-315		
100	50	VYG20-100-50		19-290-3402				90.20.65-10050Y	VSG20-100-50		
100	80	VYG20-100-80	W071080	19-290-3403	WDX13803100080Y	90.20.65-10080Y			VSG20-100-80	W051080	WDX13803100080G
100	100	VYG20-100-100	W071010	19-290-3404	WDX13803100100Y	90.20.65-100100Y			VSG20-100-100	W051010	WDX13803100100G
100	125	VYG20-100-125	W071012	19-290-3405	WDX13803100125Y	90.20.65-100125Y			VSG20-100-125	W051012	WDX13803100125G
100	160	VYG20-100-160	W071016	19-290-3406	WDX13803100160Y	90.20.65-100160Y			VSG20-100-160	W051016	WDX13803100160G
100	200	VYG20-100-200	W071020	19-290-3408	WDX13803100200Y	90.20.65-100200Y			VSG20-100-200	W051020	WDX13803100200G
100	250	VYG20-100-250		19-290-3410	WDX13803100250Y	90.20.65-100250Y			VSG20-100-250		WDX13803100250G
100	315	VYG20-100-315		19-290-3412	WDX13803100315Y				VSG20-100-315		WDX13803100315G
125	50	VYG20-125-50							VSG20-125-50		
125	80	VYG20-125-80	W071208	19-290-3503	WDX13803125080Y	90.20.65-12580Y			VSG20-125-80	W051208	WDX13803125080G
125	100	VYG20-125-100	W071210	19-290-3504	WDX13803125100Y	90.20.65-125100Y			VSG20-125-100	W051210	WDX13803125100G
125	125	VYG20-125-125	W071212	19-290-3505	WDX13803125125Y	90.20.65-125125Y			VSG20-125-125	W051212	WDX13803125125G
125	160	VYG20-125-160	W071216	19-290-3506	WDX13803125160Y	90.20.65-125160Y			VSG20-125-160	W051216	WDX13803125160G
125	200	VYG20-125-200	W071220	19-290-3508	WDX13803125200Y	90.20.65-125200Y			VSG20-125-200	W051220	WDX13803125200G
125	250	VYG20-125-250		19-290-3510	WDX13803125250Y	90.20.65-125250Y			VSG20-125-250		WDX13803125250G
125	315	VYG20-125-315		19-290-3512	WDX13803125315Y				VSG20-125-315		WDX13803125315G
160	50	VYG20-160-50							VSG20-160-50		
160	80	VYG20-160-80							VSG20-160-80		
160	100	VYG20-160-100	W071610	19-290-3604	WDX13803160100Y	90.20.65-160100Y			VSG20-160-100	W051610	WDX13803160100G
160	125	VYG20-160-125	W071612	19-290-3605	WDX13803160125Y	90.20.65-160125Y			VSG20-160-125	W051612	WDX13803160125G
160	160	VYG20-160-160	W071616	19-290-3606	WDX13803160160Y	90.20.65-160160Y			VSG20-160-160	W051616	WDX13803160160G
160	200	VYG20-160-200	W071620	19-290-3608	WDX13803160200Y	90.20.65-160200Y			VSG20-160-200		WDX13803160200G
160	250	VYG20-160-250		19-290-3610	WDX13803160250Y	90.20.65-160250Y			VSG20-160-250		WDX13803160250G
160	300	VYG20-160-300									
160	315	VYG20-160-315		19-290-3612	WDX13803160315Y	90.20.65-160300Y			VSG20-160-315		WDX13803160315G
200	200					90.20.65-200200Y					
200	250					90.20.65-200250Y					
200	300					90.20.65-200300Y					

PLEASE NOTE:

- ◆ The highlighted items (in grey) have different hole patterns than our existing wear plates. They do not convert to an IEM part number and must be ordered as highlighted.

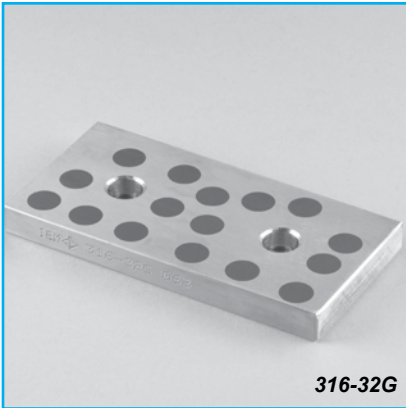
Automotive Wear Plate Conversions

Dimensions		PLAIN STEEL						
		Daimly IEM Part Number	NAAMS W06 Series Number	Chrysler Part Number	Ford Part Number Part Number	General Motors Part Number		
Width	Length							
50	80	V SX20-50-80						
50	100	V SX20-50-100	W060510	19-290-4204	WDX13803050100X	90.20.65-50100X		
50	125	V SX20-50-125	W060512	19-290-4205	WDX13803050125X	90.20.65-50125X		
50	160	V SX20-50-160	W060516	19-290-4206	WDX13803050160X	90.20.65-50160X		
50	200	V SX20-50-200	W060520	19-290-4208	WDX13803050200X	90.20.65-50200X		
80	50	V SX20-80-50						
80	80	V SX20-80-80						
80	100	V SX20-80-100	W060810	19-290-4304	WDX13803080100X	90.20.65-80100X		
80	125	V SX20-80-125	W060812	19-290-4305	WDX13803080125X	90.20.65-80125X		
80	160	V SX20-80-160	W060816	19-290-4306	WDX13803080160X	90.20.65-80160X		
80	200	V SX20-80-200	W060820	19-290-4308	WDX13803080200X	90.20.65-80200X		
80	250	V SX20-80-250		19-290-4310				
80	315	V SX20-80-315		19-290-4312				
100	50	V SX20-100-50		19-290-4402			90.20.65-10050X	
100	80	V SX20-100-80	W061080	19-290-4403	WDX13803100080X	90.20.65-10080X		
100	100	V SX20-100-100	W061010	19-290-4404	WDX13803100100X	90.20.65-100100X		
100	125	V SX20-100-125	W061012	19-290-4405	WDX13803100125X	90.20.65-100125X		
100	160	V SX20-100-160	W061016	19-290-4406	WDX13803100160X	90.20.65-100160X		
100	200	V SX20-100-200	W061020	19-290-4408	WDX13803100200X	90.20.65-100200X		
100	250	V SX20-100-250		19-290-4410	WDX13803100250X	90.20.65-100250X		
100	315	V SX20-100-315		19-290-4412	WDX13803100315X			
125	50	V SX20-125-50						
125	80	V SX20-125-80	W061208	19-290-4503	WDX13803125080X	90.20.65-12580X		
125	100	V SX20-125-100	W061210	19-290-4504	WDX13803125100X	90.20.65-125100X		
125	125	V SX20-125-125	W061212	19-290-4505	WDX13803125125X	90.20.65-125125X		
125	160	V SX20-125-160	W061216	19-290-4506	WDX13803125160X	90.20.65-125160X		
125	200	V SX20-125-200	W061220	19-290-4508	WDX13803125200X	90.20.65-125200X		
125	250	V SX20-125-250		19-290-4510	WDX13803125250X	90.20.65-125250X		
125	315	V SX20-125-315		19-290-4512	WDX13803125315X			
160	50	V SX20-160-50						
160	80	V SX20-160-80						
160	100	V SX20-160-100	W061610	19-290-4604	WDX13803160100X	90.20.65-160100X		
160	125	V SX20-160-125	W061612	19-290-4605	WDX13803160125X	90.20.65-160125X		
160	160	V SX20-160-160	W061616	19-290-4606	WDX13803160160X	90.20.65-160160X		
160	200	V SX20-160-200	W061620	19-290-4608	WDX13803160200X	90.20.65-160200X		
160	250	V SX20-160-250		19-290-4610	WDX13803160250X	90.20.65-160250X		
160	300					90.20.65-160300X		
160	315	V SX20-160-315		19-290-4612	WDX13803160315X			
200	200						90.20.65-200200X	
200	250						90.20.65-200250X	
200	300						90.20.65-200300X	

PLEASE NOTE:

- ◆ The highlighted items (in grey) have different hole patterns than our existing wear plates. They do not convert to an IEM part number and must be ordered as highlighted.

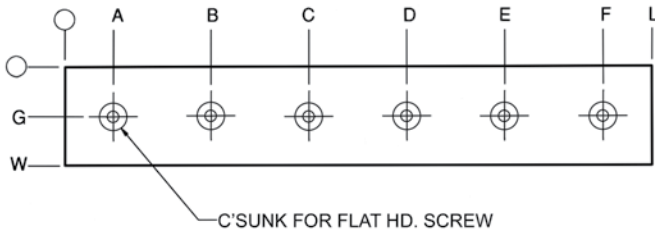
Plain Bronze & Self-Lubricating Wearstrips – Inch



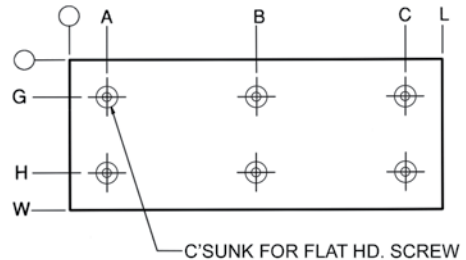
Product Features

This Inch Series of wearstrip is available in 1/4", 3/8", 1/2" and 5/8" thicknesses and is manufactured in bronze material with or without graphite plugs. They are supplied with 2 to 8 mounting holes dependant on the width and length of the strip. For ease of identification, all products are marked with the part number.

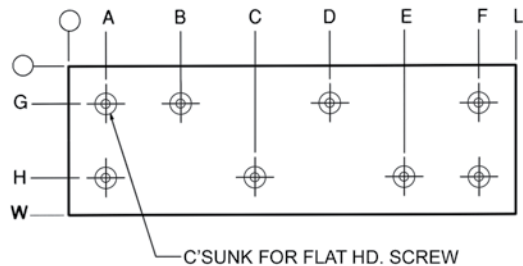
PATTERN A



PATTERN B



PATTERN C



TOLERANCES:

- ◆ Thickness ± 0.001 in.
- ◆ Mounting hole locations ± 0.010 in.
- ◆ Unless otherwise noted ± 0.010 in.

MOUNTING SCREWS:

- ◆ 1/4" thick plates: 1/4" flat head screw recommended
- ◆ 3/8" thick plates: 1/4" S.H.C.S. recommended
- ◆ 1/2" thick plates: 5/16" S.H.C.S. recommended
- ◆ 5/8" thick plates: 5/16" S.H.C.S. recommended

MATERIALS:

- ◆ Bronze material with or without oil-impregnated graphite plugs. When ordered with graphite plugs, the plugs cover 25-30% of the wear surface and are arranged to generate optimal coverage at any engagement direction of the wear plate.

When ordering please indicate preference at the end of the part number:

- No Graphite, with mounting holes Example: 212-32
- G – With Graphite and mounting holes Example: 212-32G
- N – No Graphite, no mounting holes Example: 212-32N
- NG – With Graphite, no mounting holes Example: 212-32NG

Plain Bronze & Self-Lubricating Wearstrips – Inch

Width W	Length L	Mounting Hole Pattern & Location									
		Hole Qty.	Hole Pattern	A (in)	B (in)	C (in)	D (in)	E (in)	F (in)	G (in)	H (in)
1.00	4.00	2	A	1.00	3.00	–	–	–	–	0.50	–
	5.00	3		.50	2.50	4.50	–	–	–	0.50	
	6.00	3		1.00	3.00	5.00	–	–	–	0.50	
	8.00	4		1.00	3.00	5.00	7.00	–	–	0.50	
	10.00	5		1.00	3.00	5.00	7.00	9.00	–	0.50	
	12.00	6		1.00	3.00	5.00	7.00	9.00	11.00	0.50	
1.50	3.00	2	A	.50	2.50	–	–	–	–	0.75	–
	4.00	2		1.00	3.00	–	–	–	–	0.75	
	5.00	3		.50	2.50	4.50	–	–	–	0.75	
	6.00	3		1.00	3.00	5.00	–	–	–	0.75	
	8.00	4		1.00	3.00	5.00	7.00	–	–	0.75	
	10.00	5		1.00	3.00	5.00	7.00	9.00	–	0.75	
	12.00	6		1.00	3.00	5.00	7.00	9.00	11.00	0.75	
2.00	3.00	2	A	.50	2.50	–	–	–	–	1.00	–
	4.00	2		1.00	3.00	–	–	–	–	1.00	
	5.00	3		.50	2.50	4.50	–	–	–	1.00	
	6.00	3		1.00	3.00	5.00	–	–	–	1.00	
	8.00	4		1.00	3.00	5.00	7.00	–	–	1.00	
	10.00	5		1.00	3.00	5.00	7.00	9.00	–	1.00	
	12.00	6		1.00	3.00	5.00	7.00	9.00	11.00	1.00	
2.50	3.00	2	A	.50	2.50	–	–	–	–	1.25	–
	4.00	2		1.00	3.00	–	–	–	–	1.25	
	5.00	3		.50	2.50	4.50	–	–	–	1.25	
	6.00	3		1.00	3.00	5.00	–	–	–	1.25	
	8.00	4		1.00	3.00	5.00	7.00	–	–	1.25	
	10.00	5		1.00	3.00	5.00	7.00	9.00	–	1.25	
	12.00	6		1.00	3.00	5.00	7.00	9.00	11.00	1.25	
3.00	3.00	4	B	.50	2.50	–	–	–	–	0.50	2.50
	4.00	4	B	1.00	3.00	–	–	–	–	0.50	
	5.00	4	B	.50	4.50	–	–	–	–	0.50	
	6.00	4	B	1.00	5.00	–	–	–	–	0.50	
	8.00	6	C	1.00	3.00	5.00	–	–	7.00	0.50	
	10.00	6	B	1.00	5.00	9.00	–	–	–	0.50	
	12.00	8	C	1.00	3.00	5.00	7.00	9.00	11.00	0.50	
4.00	4.00	4	B	1.00	3.00	–	–	–	–	1.00	3.00
	5.00	4	B	.50	4.50	–	–	–	–	1.00	
	6.00	4	B	1.00	5.00	–	–	–	–	1.00	
	8.00	6	C	1.00	3.00	5.00	–	–	7.00	1.00	
	10.00	6	B	1.00	5.00	9.00	–	–	–	1.00	
	12.00	8	C	1.00	3.00	5.00	7.00	9.00	11.00	1.00	

NOTE: See page 14 for part number and ordering information.

Plain Bronze & Self-Lubricating Wearstrips – Inch

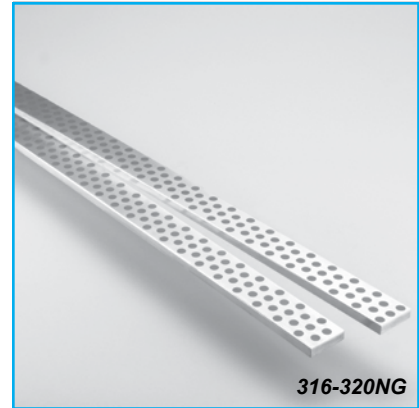
	Width W (in)	Length L (in)	With Graphite Plugs Part #	Without Graphite Plugs Part #
1/4" Thick Wear Strips	1.00	4.00	28-32G	28-32
		5.00	28-40G	28-40
		6.00	28-48G	28-48
		8.00	28-64G	28-64
		10.00	28-80G	28-80
		12.00	28-96G	28-96
	1.50	4.00	212-32G	212-32
		5.00	212-40G	212-40
		6.00	212-48G	212-48
		8.00	212-64G	212-64
		10.00	212-80G	212-80
		12.00	212-96G	212-96
	2.00	4.00	216-32G	216-32
		5.00	216-40G	216-40
		6.00	216-48G	216-48
		8.00	216-64G	216-64
		10.00	216-80G	216-80
		12.00	216-96G	216-96
	2.50	4.00	220-32G	220-32
		5.00	220-40G	220-40
		6.00	220-48G	220-48
		8.00	220-64G	220-64
		10.00	220-80G	220-80
		12.00	220-96G	220-96
3.00	4.00	224-32G	224-32	
	5.00	224-40G	224-40	
	6.00	224-48G	224-48	
	8.00	224-64G	224-64	
	10.00	224-80G	224-80	
	12.00	224-96G	224-96	
4.00	4.00	232-32G	232-32	
	5.00	232-40G	232-40	
	6.00	232-48G	232-48	
	8.00	232-64G	232-64	
	10.00	232-80G	232-80	
	12.00	232-96G	232-96	
1/2" Thick Wear Strips	1.50	3.00	412-24G	412-24
		4.00	412-32G	412-32
		5.00	412-40G	412-40
		6.00	412-48G	412-48
		8.00	412-64G	412-64
		10.00	412-80G	412-80
	2.00	3.00	416-24G	416-24
		4.00	416-32G	416-32
		5.00	416-40G	416-40
		6.00	416-48G	416-48
		8.00	416-64G	416-64
		10.00	416-80G	416-80
	2.50	3.00	420-24G	420-24
		4.00	420-32G	420-32
		5.00	420-40G	420-40
		6.00	420-48G	420-48
		8.00	420-64G	420-64
		10.00	420-80G	420-80
	3.00	3.00	424-24G	424-24
		4.00	424-32G	424-32
		5.00	424-40G	424-40
		6.00	424-48G	424-48
		8.00	424-64G	424-64
		10.00	424-80G	424-80
4.00	4.00	424-96G	424-96	
	4.00	432-32G	432-32	
	5.00	432-40G	432-40	
	6.00	432-48G	432-48	
	8.00	432-64G	432-64	
	10.00	432-80G	432-80	
4.00	12.00	432-96G	432-96	

	Width W (in)	Length L (in)	With Graphite Plugs Part #	Without Graphite Plugs Part #
3/8" Thick Wear Strips	1.00	4.00	38-32G	38-32
		5.00	38-40G	38-40
		6.00	38-48G	38-48
		8.00	38-64G	38-64
		10.00	38-80G	38-80
		12.00	38-96G	38-96
	1.50	4.00	312-32G	312-32
		5.00	312-40G	312-40
		6.00	312-48G	312-48
		8.00	312-64G	312-64
		10.00	312-80G	312-80
		12.00	312-96G	312-96
	2.00	4.00	316-32G	316-32
		5.00	316-40G	316-40
		6.00	316-48G	316-48
		8.00	316-64G	316-64
		10.00	316-80G	316-80
		12.00	316-96G	316-96
	2.50	4.00	320-32G	320-32
		5.00	320-40G	320-40
		6.00	320-48G	320-48
		8.00	320-64G	320-64
		10.00	320-80G	320-80
		12.00	320-96G	320-96
3.00	4.00	324-32G	324-32	
	5.00	324-40G	324-40	
	6.00	324-48G	324-48	
	8.00	324-64G	324-64	
	10.00	324-80G	324-80	
	12.00	324-96G	324-96	
4.00	4.00	332-32G	332-32	
	5.00	332-40G	332-40	
	6.00	332-48G	332-48	
	8.00	332-64G	332-64	
	10.00	332-80G	332-80	
	12.00	332-96G	332-96	
5/8" Thick Wear Strips	1.50	3.00	512-24G	512-24
		4.00	512-32G	512-32
		5.00	512-40G	512-40
		6.00	512-48G	512-48
		8.00	512-64G	512-64
		10.00	512-80G	512-80
	2.00	3.00	516-24G	516-24
		4.00	516-32G	516-32
		5.00	516-40G	516-40
		6.00	516-48G	516-48
		8.00	516-64G	516-64
		10.00	516-80G	516-80
	2.50	3.00	516-96G	516-96
		3.00	520-24G	520-24
		4.00	520-32G	520-32
		5.00	520-40G	520-40
		6.00	520-48G	520-48
		8.00	520-64G	520-64
	3.00	10.00	520-80G	520-80
		12.00	520-96G	520-96
		3.00	524-24G	524-24
		4.00	524-32G	524-32
		5.00	524-40G	524-40
		6.00	524-48G	524-48
4.00	8.00	524-64G	524-64	
	10.00	524-80G	524-80	
	12.00	524-96G	524-96	
	4.00	532-32G	532-32	
	5.00	532-40G	532-40	
	6.00	532-48G	532-48	
4.00	8.00	532-64G	532-64	
	10.00	532-80G	532-80	
	12.00	532-96G	532-96	

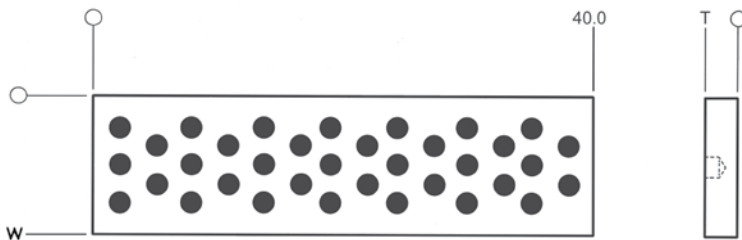
Self-Lubricating Wearstrip Ways – Inch

Product Features

This Inch Series of wearstrips is sold in 40-inch lengths without mounting holes. They are designed to be cut to length and drilled for mounting as required. They are manufactured from self-lubricated bronze material with oil-impregnated graphite plugs. They are available in 3/8", 1/2", 5/8" and 3/4" thicknesses. For ease of identification, all products are marked with the part number.



316-320NG



Part Number	Thickness T (in)	Width W (in)	Plug Diameter (in)
312-320NG	0.375	1.50	5/16
316-320NG		2.00	3/8
320-320NG		2.50	3/8
324-320NG		3.00	1/2
412-320NG	0.500	1.50	5/16
416-320NG		2.00	3/8
420-320NG		2.50	3/8
424-320NG		3.00	1/2
432-320NG		4.00	1/2
516-320NG	0.625	2.00	3/8
524-320NG		3.00	1/2
532-320NG		4.00	1/2
616-320NG	0.750	2.00	3/8
624-320NG		3.00	1/2
632-320NG		4.00	1/2
640-320NG		5.00	1/2

MATERIALS:

- ◆ Bronze material with oil impregnated graphite plugs. The plugs cover 25-30% of the wear surface and are arranged to generate optimal coverage at any engagement direction of the wearstrip.

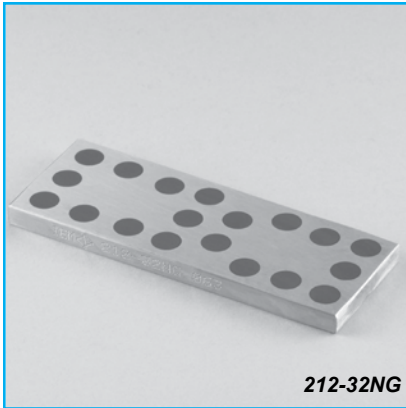
TOLERANCES:

- ◆ Thickness ± 0.001 in.
- ◆ Unless otherwise noted ± 0.010 in.

MOUNTING SCREWS:

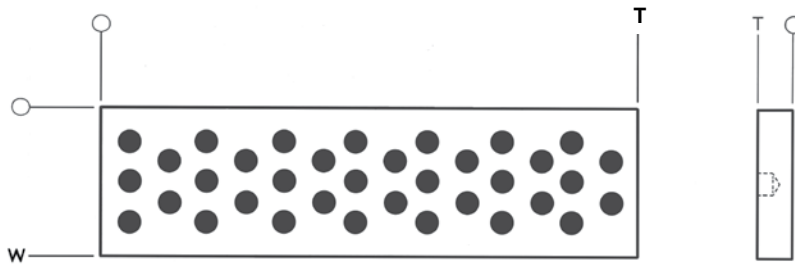
- ◆ Normal procedure is to use the graphite plug location for screw hole location.
- ◆ 1/4" flathead or socket head screw (maximum) recommended for 3/8" thick strips.
- ◆ 3/8" flathead or socket head screw (maximum) recommended for 1/2", 5/8" and 3/4" inch thick strips.

Plain Bronze & Self-Lubricating Wearstrips – Inch



Product Features

This Inch Series of wearstrip is available in 1/4", 3/8", 1/2" and 5/8" thicknesses and is manufactured in bronze material with or without graphite plugs. They are supplied without mounting holes. For ease of identification, all products are marked with the part number.



MATERIALS:

- ◆ Bronze material with or without oil impregnated graphite plugs. When ordered with graphite plugs, the plugs cover 25-30% of the wear surface and are arranged to generate optimal coverage at any engagement direction of the wearstrip.

TOLERANCES:

- ◆ Thickness ± 0.001 in.
- ◆ Unless otherwise noted ± 0.010 in.

MOUNTING SCREWS:

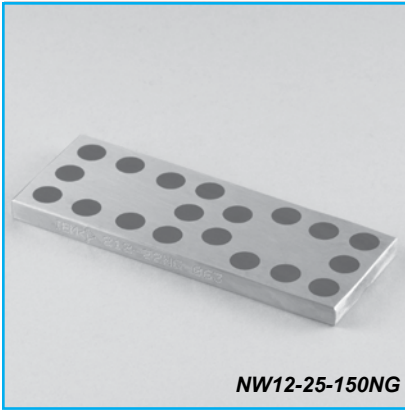
- ◆ Mounting holes must be drilled. Recommend using plug locations for drilling mounting holes.

Plain Bronze & Self-Lubricating Wearstrips – Inch

		Width W (in)	Length L (in)	With Graphite Plugs Part #	Without Graphite Plugs Part #
1/4" Thick Wear Strips	1		4	28-32NG	28-32N
			5	28-40NG	28-40N
			6	28-48NG	28-48N
			8	28-64NG	28-64N
			10	28-80NG	28-80N
		12	28-96NG	28-96N	
	1.5		4	212-32NG	212-32N
			5	212-40NG	212-40N
			6	212-48NG	212-48N
			8	212-64NG	212-64N
			10	212-80NG	212-80N
		12	212-96NG	212-96N	
	2		4	216-32NG	216-32N
			5	216-40NG	216-40N
			6	216-48NG	216-48N
			8	216-64NG	216-64N
			10	216-80NG	216-80N
		12	216-96NG	216-96N	
	2.5		4	220-32NG	220-32N
			5	220-40NG	220-40N
			6	220-48NG	220-48N
			8	220-64NG	220-64N
			10	220-80NG	220-80N
		12	220-96NG	220-96N	
3		4	224-32NG	224-32N	
		5	224-40NG	224-40N	
		6	224-48NG	224-48N	
		8	224-64NG	224-64N	
		10	224-80NG	224-80N	
	12	224-96NG	224-96N		
4		4	232-32NG	232-32N	
		5	232-40NG	232-40N	
		6	232-48NG	232-48N	
		8	232-64NG	232-64N	
		10	232-80NG	232-80N	
	12	232-96NG	232-96N		
1/2" Thick Wear Strips	1.5		3	412-24NG	412-24N
			4	412-32NG	412-32N
			5	412-40NG	412-40N
			6	412-48NG	412-48N
			8	412-64NG	412-64N
		10	412-80NG	412-80N	
		12	412-96NG	412-96N	
	2		3	416-24NG	416-24N
			4	416-32NG	416-32N
			5	416-40NG	416-40N
			6	416-48NG	416-48N
			8	416-64NG	416-64N
		10	416-80NG	416-80N	
		12	416-96NG	416-96N	
	2.5		3	420-24NG	420-24N
			4	420-32NG	420-32N
			5	420-40NG	420-40N
			6	420-48NG	420-48N
			8	420-64NG	420-64N
		10	420-80NG	420-80N	
		12	420-96NG	420-96N	
	3		3	424-24NG	424-24N
			4	424-32NG	424-32N
			5	424-40NG	424-40N
		6	424-48NG	424-48N	
		8	424-64NG	424-64N	
	10	424-80NG	424-80N		
	12	424-96NG	424-96N		
4		4	432-32NG	432-32N	
		5	432-40NG	432-40N	
		6	432-48NG	432-48N	
		8	432-64NG	432-64N	
		10	432-80NG	432-80N	
	12	432-96NG	432-96N		

		Width W (in)	Length L (in)	With Graphite Plugs Part #	Without Graphite Plugs Part #
3/8" Thick Wear Strips	1		4	38-32NG	38-32N
			5	38-40NG	38-40N
			6	38-48NG	38-48N
			8	38-64NG	38-64N
			10	38-80NG	38-80N
		12	38-96NG	38-96N	
	1.5		4	312-32NG	312-32N
			5	312-40NG	312-40N
			6	312-48NG	312-48N
			8	312-64NG	312-64N
			10	312-80NG	312-80N
		12	312-96NG	312-96N	
	2		4	316-32NG	316-32N
			5	316-40NG	316-40N
			6	316-48NG	316-48N
			8	316-64NG	316-64N
			10	316-80NG	316-80N
		12	316-96NG	316-96N	
	2.5		4	320-32NG	320-32N
			5	320-40NG	320-40N
			6	320-48NG	320-48N
			8	320-64NG	320-64N
			10	320-80NG	320-80N
		12	320-96NG	320-96N	
3		4	324-32NG	324-32N	
		5	324-40NG	324-40N	
		6	324-48NG	324-48N	
		8	324-64NG	324-64N	
		10	324-80NG	324-80N	
	12	324-96NG	324-96N		
4		4	332-32NG	332-32N	
		5	332-40NG	332-40N	
		6	332-48NG	332-48N	
		8	332-64NG	332-64N	
		10	332-80NG	332-80N	
	12	332-96NG	332-96N		
5/8" Thick Wear Strips	1.5		3	512-24NG	512-24N
			4	512-32NG	512-32N
			5	512-40NG	512-40N
			6	512-48NG	512-48N
			8	512-64NG	512-64N
		10	512-80NG	512-80N	
		12	512-96NG	512-96N	
	2		3	516-24NG	516-24N
			4	516-32NG	516-32N
			5	516-40NG	516-40N
			6	516-48NG	516-48N
			8	516-64NG	516-64N
		10	516-80NG	516-80N	
		12	516-96NG	516-96N	
	2.5		3	520-24NG	520-24N
			4	520-32NG	520-32N
			5	520-40NG	520-40N
			6	520-48NG	520-48N
			8	520-64NG	520-64N
		10	520-80NG	520-80N	
		12	520-96NG	520-96N	
	3		3	524-24NG	524-24N
			4	524-32NG	524-32N
			5	524-40NG	524-40N
		6	524-48NG	524-48N	
		8	524-64NG	524-64N	
	10	524-80NG	524-80N		
	12	524-96NG	524-96N		
4		4	532-32NG	532-32N	
		5	532-40NG	532-40N	
		6	532-48NG	532-48N	
		8	532-64NG	532-64N	
		10	532-80NG	532-80N	
	12	532-96NG	532-96N		

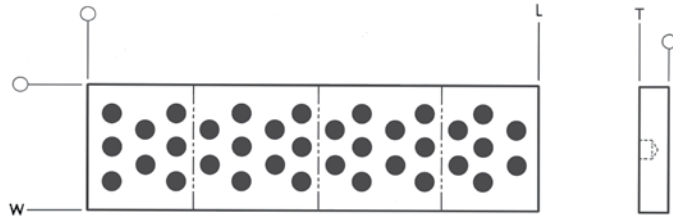
NAAMS Series Self-Lubricating Wearstrips



NW12-25-150NG

Product Features

The NAAMS Series of wearstrip fully meets the North American Automotive Standard. They are manufactured from bronze material with oil-impregnated graphite plugs.



Thkns. T (mm)	Width W (mm)	Length L (mm)	Part Number	NAAMS Code
10	25	150	NW10-25-150NG	W511025
	40		NW10-40-150NG	W511040
	50		NW10-50-150NG	W511050
	63		NW10-63-150NG	W511063
	75		NW10-75-150NG	W511075
	100		NW10-100-150NG	W511010
	125		NW10-125-150NG	W511012
	150		NW10-150-150NG	W511015
12	25	150	NW12-25-150NG	W511225
	40		NW12-40-150NG	W511240
	50		NW12-50-150NG	W511250
	63		NW12-63-150NG	W511263
	75		NW12-75-150NG	W511275
	100		NW12-100-150NG	W511210
	125		NW12-125-150NG	W511212
	150		NW12-150-150NG	W511215
15	25	150	NW15-25-150NG	W511525
	40		NW15-40-150NG	W511540
	50		NW15-50-150NG	W511550
	63		NW15-63-150NG	W511563
	75		NW15-75-150NG	W511575
	100		NW15-100-150NG	W511510
	125		NW15-125-150NG	W511512
	150		NW15-150-150NG	W511515
20	25	150	NW20-25-150NG	W512025
	40		NW20-40-150NG	W512040
	50		NW20-50-150NG	W512050
	63		NW20-63-150NG	W512063
	75		NW20-75-150NG	W512075
	100		NW20-100-150NG	W512010
	125		NW20-125-150NG	W512012
	150		NW20-150-150NG	W512015

Thkns. T (mm)	Width W (mm)	Length L (mm)	Part Number	NAAMS Code
10	25	300	NW10-25-300NG	W531025
	40		NW10-40-300NG	W531040
	50		NW10-50-300NG	W531050
	63		NW10-63-300NG	W531063
	75		NW10-75-300NG	W531075
	100		NW10-100-300NG	W531010
	125		NW10-125-300NG	W531012
	150		NW10-150-300NG	W531015
12	25	300	NW12-25-300NG	W531225
	40		NW12-40-300NG	W531240
	50		NW12-50-300NG	W531250
	63		NW12-63-300NG	W531263
	75		NW12-75-300NG	W531275
	100		NW12-100-300NG	W531210
	125		NW12-125-300NG	W531212
	150		NW12-150-300NG	W531215
15	25	300	NW15-25-300NG	W531525
	40		NW15-40-300NG	W531540
	50		NW15-50-300NG	W531550
	63		NW15-63-300NG	W531563
	75		NW15-75-300NG	W531575
	100		NW15-100-300NG	W531510
	125		NW15-125-300NG	W531512
	150		NW15-150-300NG	W531515
20	25	300	NW20-25-300NG	W532025
	40		NW20-40-300NG	W532040
	50		NW20-50-300NG	W532050
	63		NW20-63-300NG	W532063
	75		NW20-75-300NG	W532075
	100		NW20-100-300NG	W532010
	125		NW20-125-300NG	W532012
	150		NW20-150-300NG	W532015

NAAMS Series

Self-Lubricating Wearstrips

MATERIALS:

- ◆ Bronze material with oil-impregnated graphite plugs. The plugs cover 25-30% of the wear surface and are arranged to generate optimal coverage at any engagement direction of the wearstrip.

TOLERANCES:

- ◆ Thickness ± 0.025 mm
- ◆ Mounting hole locations ± 0.25 mm
- ◆ Unless otherwise noted ± 0.25 mm

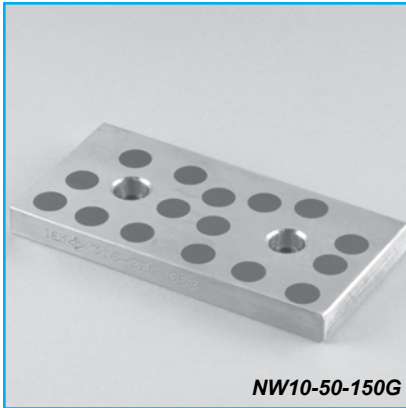
MOUNTING SCREWS:

- ◆ Normal procedure is to use the graphite plug location for screw hole location.
- ◆ M6 flathead or socket head screw (maximum) recommended for 10mm thick plates.
- ◆ M10 flathead or socket head screw (maximum) recommended for 12, 15 and 20mm thick plates.

Thkns. T (mm)	Width W (mm)	Length L (mm)	Part Number	NAAMS Code
10	25	600	NW10-25-600NG	W551025
	40		NW10-40-600NG	W551040
	50		NW10-50-600NG	W551050
	63		NW10-63-600NG	W551063
	75		NW10-75-600NG	W551075
	100		NW10-100-600NG	W551010
	125		NW10-125-600NG	W551012
	150		NW10-150-600NG	W551015
12	25		NW12-25-600NG	W551225
	40		NW12-40-600NG	W551240
	50		NW12-50-600NG	W551250
	63		NW12-63-600NG	W551263
	75		NW12-75-600NG	W551275
	100		NW12-100-600NG	W551210
	125		NW12-125-600NG	W551212
	150		NW12-150-600NG	W551215
15	25		NW15-25-600NG	W551525
	40		NW15-40-600NG	W551540
	50		NW15-50-600NG	W551550
	63		NW15-63-600NG	W551563
	75		NW15-75-600NG	W551575
	100		NW15-100-600NG	W551510
	125		NW15-125-600NG	W551512
	150		NW15-150-600NG	W551515
20	25		NW20-25-600NG	W552025
	40		NW20-40-600NG	W552040
	50		NW20-50-600NG	W552050
	63		NW20-63-600NG	W552063
	75	NW20-75-600NG	W552075	
	100	NW20-100-600NG	W552010	
	125	NW20-125-600NG	W552012	
	150	NW20-150-600NG	W552015	

Thkns. T (mm)	Width W (mm)	Length L (mm)	Part Number	NAAMS Code
10	25	1000	NW10-25-1000NG	W571025
	40		NW10-40-1000NG	W571040
	50		NW10-50-1000NG	W571050
	63		NW10-63-1000NG	W571063
	75		NW10-75-1000NG	W571075
	100		NW10-100-1000NG	W571010
	125		NW10-125-1000NG	W571012
	150		NW10-150-1000NG	W571015
12	25		NW12-25-1000NG	W571225
	40		NW12-40-1000NG	W571240
	50		NW12-50-1000NG	W571250
	63		NW12-63-1000NG	W571263
	75		NW12-75-1000NG	W571275
	100		NW12-100-1000NG	W571210
	125		NW12-125-1000NG	W571212
	150		NW12-150-1000NG	W571215
15	25		NW15-25-1000NG	W571525
	40		NW15-40-1000NG	W571540
	50		NW15-50-1000NG	W571550
	63		NW15-63-1000NG	W571563
	75		NW15-75-1000NG	W571575
	100		NW15-100-1000NG	W571510
	125		NW15-125-1000NG	W571512
	150		NW15-150-1000NG	W571515
20	25		NW20-25-1000NG	W572025
	40		NW20-40-1000NG	W572040
	50		NW20-50-1000NG	W572050
	63		NW20-63-1000NG	W572063
	75	NW20-75-1000NG	W572075	
	100	NW20-100-1000NG	W572010	
	125	NW20-125-1000NG	W572012	
	150	NW20-150-1000NG	W572015	

NW Series Self-Lubricating Wearstrips – Metric



Product Features

The NW Series of wearstrip fully conforms to the Chrysler die standards. They are manufactured in self-lubricating bronze material and are available in 10, 12 and 15mm thicknesses and in 150 and 300mm lengths. They are supplied with mounting holes. For ease of identification, all products are marked with the part number.

MATERIALS:

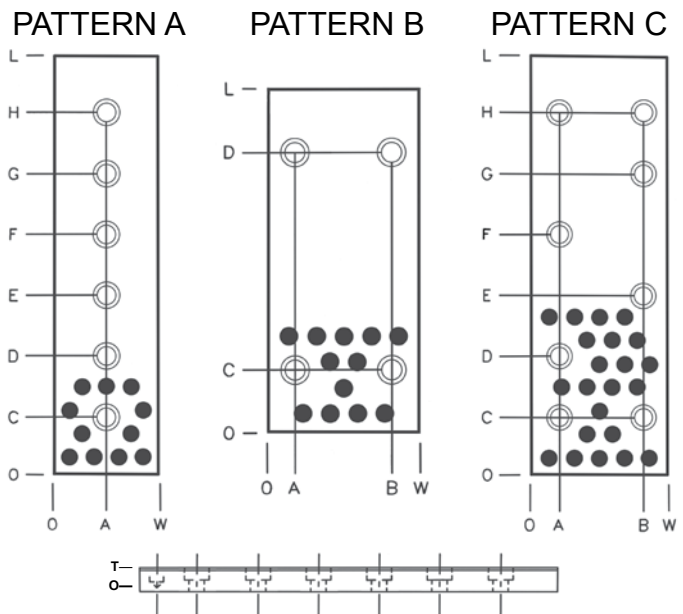
- ◆ Bronze material with oil impregnated graphite plugs. The plugs cover 25-30% of the wear surface and are arranged to generate optimal coverage at any engagement direction of the wearstrip.

TOLERANCES:

- ◆ Thickness ± 0.025 mm
- ◆ Mounting hole locations ± 0.13 mm
- ◆ Unless otherwise noted ± 0.25 mm

MOUNTING SCREWS:

- ◆ M6 S.H.C.S. recommended for 10mm thick strips
- ◆ M8 S.H.C.S. recommended for 12mm thick strips
- ◆ M10 S.H.C.S. recommended for 15mm thick strips

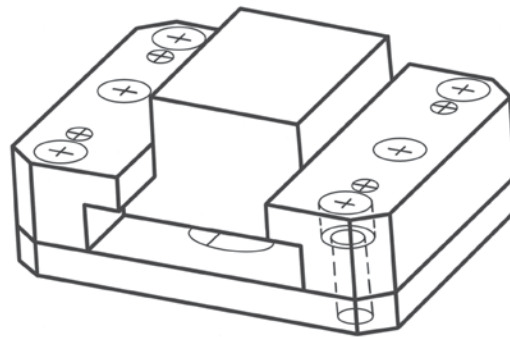
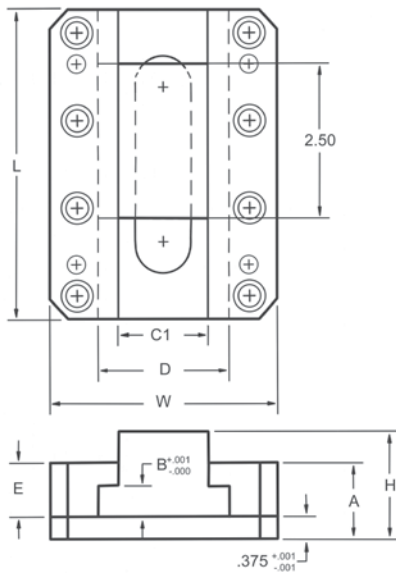


Width W (mm)	Length L (mm)	Thick T (mm)	Part Number	Chrysler Code Number	Mounting Hole Pattern & Location								
					Hole Ptn.	A (mm)	B (mm)	C (mm)	D (mm)	E (mm)	F (mm)	G (mm)	H (mm)
50	150	10	NW10-50-150G	19-296-1203	A	25	-	25	75	125	-	-	-
75		10	NW10-75-150G	19-296-1205	B	15	60		125	-	-	-	-
50		12	NW12-50-150G	19-296-1223	A	25	-		75	125	-	-	-
75		12	NW12-75-150G	19-296-1225	B	15	60		125	-	-	-	-
50		15	NW15-50-150G	19-296-1253	A	25	-		75	125	-	-	-
75		15	NW15-75-150G	19-296-1255	B	15	60		125	-	-	-	-
50	300	10	NW10-50-300G	19-296-1403	A	25	-	25	75	125	175	225	275
75		10	NW10-75-300G	19-296-1405	C	15	60						
50		12	NW12-50-300G	19-296-1423	A	25	-						
75		12	NW12-75-300G	19-296-1425	C	15	60						
50		15	NW15-50-300G	19-296-1453	A	25	-						
75		15	NW15-75-300G	19-296-1455	C	15	60						

Self-Lubricating Gib Assemblies – Inch

Product Features

The gib assembly includes four components: two L-gibs, a base plate, and an optional T-slide. The L-gibs are provided with screw holes and are spot drilled for dowels. Also, the base plate includes thru holes to allow for easy assembly and fit into a pre-machined pocket. The gib assembly is a proven performer in a wide variety of applications, including lifter slides in molds.

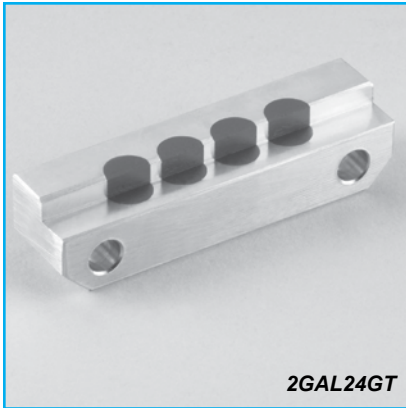


NOTES:

- ◆ See pages 22-24 for more detailed specifications on L-Gibs, Base plates and T-Slides.

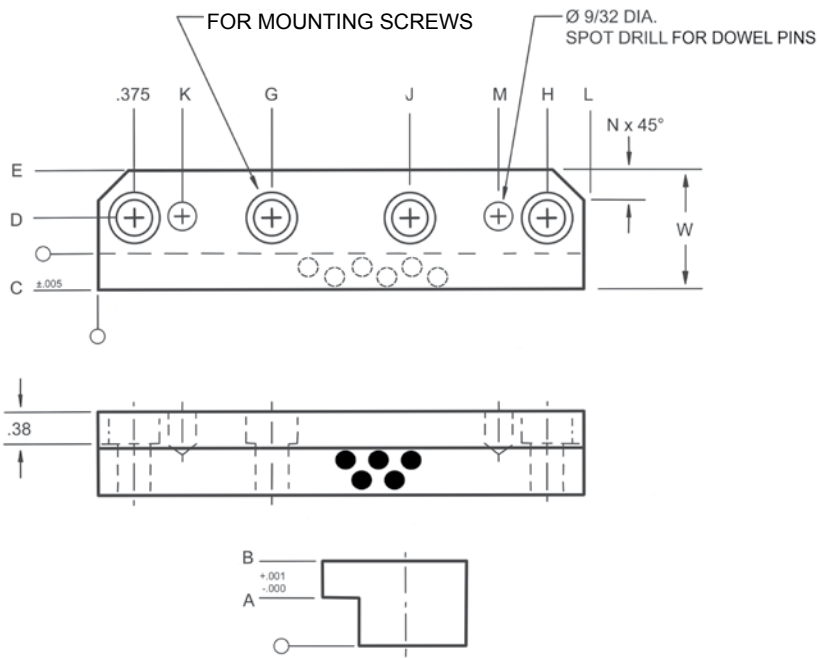
Gib Assembly w/ T-Slide Part Number	Gib Assembly w/out T-Slide Part Number	Length L (in)	Width W (in)	Mounting Hole Locations					
				A (in)	B (in)	C1 (in)	D (in)	E (in)	H (in)
2GA16GTS	2GA16GT	2.00	2.62	1.12	0.312	1.12	1.50	0.75	1.63
2GA24GTS	2GA24GT	3.00							
2GA32GTS	2GA32GT	4.00							
3GA24GTS	3GA24GT	3.00	3.12	1.12	0.575	1.12	1.62	0.75	1.62
3GA32GTS	3GA32GT	4.00							
3GA40GTS	3GA40GT	5.00							
4GA24GTS	4GA24GT	3.00	4.12	1.25	0.500	1.61	2.38	0.88	1.75
4GA32GTS	4GA32GT	4.00							
4GA40GTS	4GA40GT	5.00							
4GA48GTS	4GA48GT	6.00							
6GA32GTS	6GA32GT	4.00	4.62	1.63	0.750	1.62	2.62	1.25	2.13
6GA40GTS	6GA40GT	5.00							
6GA48GTS	6GA48GT	6.00							

Self-Lubricating L-Gibs for Gib Assembly – Inch



Product Features

These inch-sized L-gibs are used in the gib assemblies shown on page 21, or can be purchased separately to create custom cam systems. They are supplied with mounting holes and are spot drilled for dowels for simplified installation process.



MATERIALS:

- ◆ Bronze material with oil impregnated graphite plugs. The plugs cover 25-30% of the wear surface.

TOLERANCES:

- ◆ Thickness ± 0.005 in.
- ◆ Mounting hole locations ± 0.005 in.
- ◆ Unless otherwise noted ± 0.010 in.

MOUNTING SCREWS:

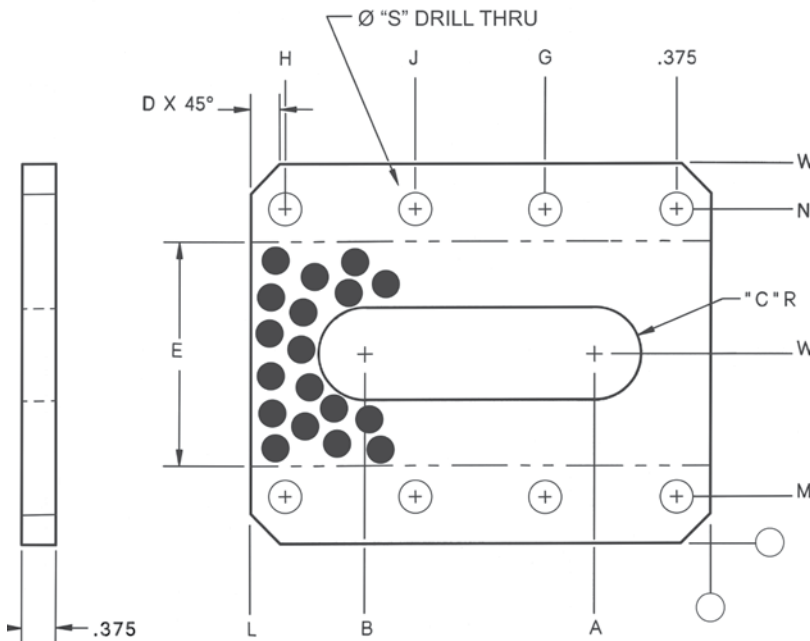
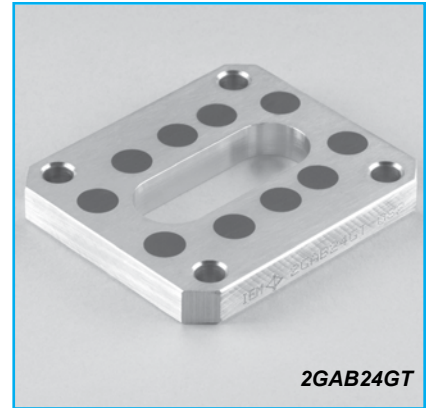
- ◆ 1/4" or M6 S.H.C.S recommended for 3/4" width GIBS.
- ◆ 5/16" or M8 S.H.C.S recommended for all other GIBS.

Gib Part Number	Length L (in)	Width W (in)	A (in)	B (in)	C (in)	D (in)	E (in)	G (in)	H (in)	J (in)	K (in)	M (in)	N (in)	Hole Qty.
2GAL16GT	2.00	0.750	0.312	0.750	0.188	0.28	0.56	–	1.625	–	1.00	–	0.26	2
2GAL24GT	3.00							–	2.625	–	0.88	2.12	0.26	2
2GAL32GT	4.00							2.000	3.625	–	0.88	3.12	0.26	3
3GAL24GT	3.00	1.000	0.375	0.75	0.250	0.37	0.75	–	2.625	–	0.88	2.12	0.26	2
3GAL32GT	4.00							2.000	3.625	–	0.88	3.12	0.26	3
3GAL40GT	5.00							2.500	4.625	–	0.88	4.12	0.26	3
4GAL24GT	3.00	1.255	0.500	0.88	0.375	0.37	0.88	–	2.625	–	0.88	2.12	0.32	2
4GAL32GT	4.00							2.000	3.625	–	0.88	3.12	0.32	3
4GAL40GT	5.00							2.500	4.625	–	0.88	4.12	0.32	3
4GAL48GT	6.00							2.125	5.625	3.875	0.88	5.12	0.32	4
6GAL32GT	4.00	1.500	0.750	1.25	0.500	0.44	1.00	2.000	3.625	–	0.88	3.12	0.32	3
6GAL40GT	5.00							2.500	4.625	–	0.88	4.12	0.32	3
6GAL48GT	6.00							2.125	5.625	3.875	0.88	5.12	0.32	4

Self-Lubricating Baseplate for Gib Assembly – Inch

Product Features

These inch-sized Baseplates are used in the gib assemblies shown on page 21, or can be purchased separately to create custom cam systems. For ease of assembly, they are supplied with thru holes.



MATERIALS:

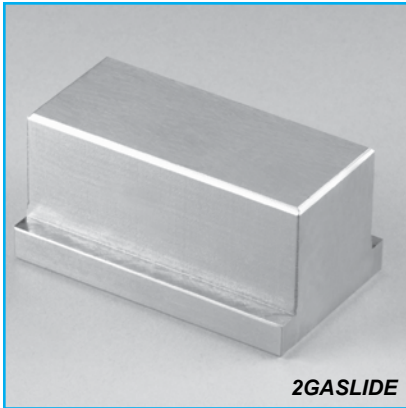
- ◆ Bronze material with oil impregnated graphite plugs. The plugs cover 25-30% of the wear surface.

TOLERANCES:

- ◆ Thickness ± 0.005 in.
- ◆ Mounting hole locations ± 0.005 in.
- ◆ Flatness ± 0.001 in.
- ◆ Unless otherwise noted ± 0.010 in.

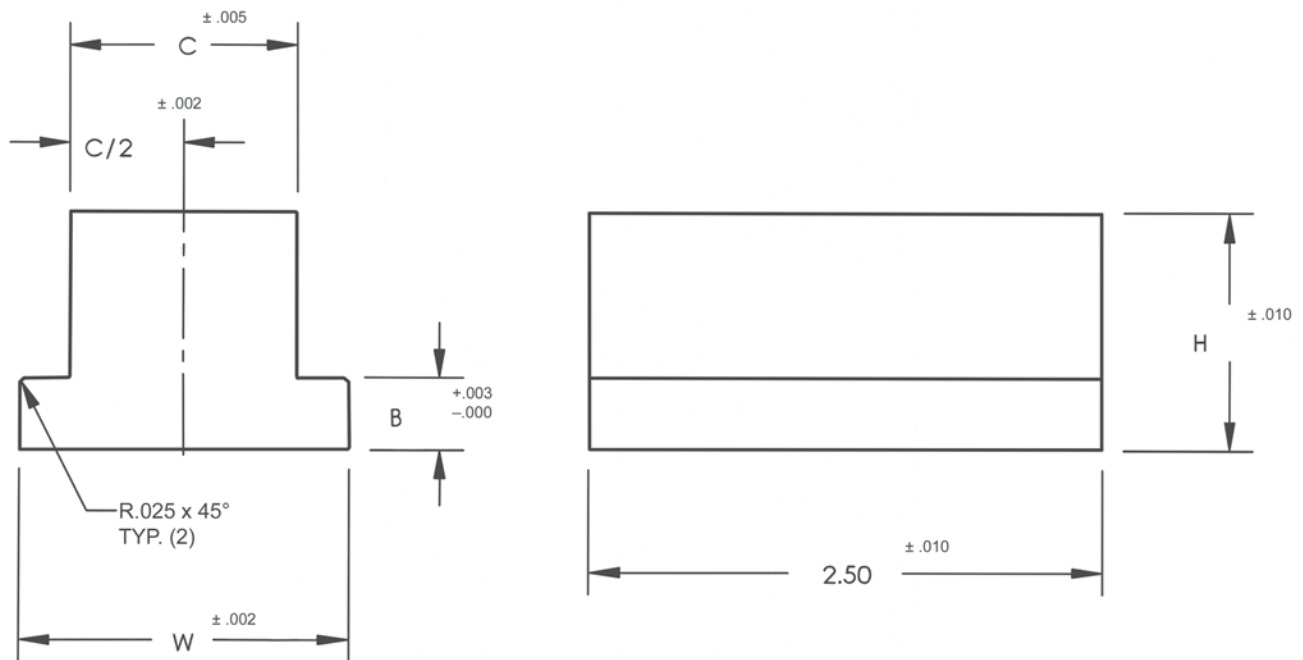
Base Part Number	Length L (in)	Width W (in)	A (in)	B (in)	C (in)	D (in)	E (in)	G (in)	H (in)	J (in)	M (in)	N (in)	Hole Qty.	S (in)
2GAB16GT	2.00	2.62	0.69	1.31	0.38	0.26	1.50	–	1.625	–	0.28	2.34	4	.28
2GAB24GT	3.00		0.88	2.12				–	2.625	–			6	
2GAB32GT	4.00		1.00	3.00				2.00	3.625	–			6	
3GAB24GT	3.00	3.12	1.00	2.00	0.38	0.26	1.68	–	2.625	–	0.38	2.74	4	.38
3GAB32GT	4.00			3.00	0.50			2.00	3.625	–			6	
3GAB40GT	5.00			4.00	0.50			2.50	4.625	–			6	
4GAB24GT	3.00	4.12	1.00	2.00	0.50	0.32	2.44	–	2.625	–	0.50	3.62	4	.38
4GAB32GT	4.00			3.00				2.00	3.625	–			6	
4GAB40GT	5.00			4.00				2.50	4.625	–			6	
4GAB48GT	6.00			5.00				2.125	5.625	3.875			8	
6GAB32GT	4.00	4.62	1.00	3.00	0.50	0.32	2.75	2.00	3.625	–	0.56	4.06	6	.38
6GAB40GT	5.00			4.00				2.50	4.625	–			6	
6GAB48GT	6.00			5.00				2.13	5.625	3.875			8	

Optional T-Slide for Gib Assembly – Inch



Product Features

The inch-sized T-Slide is often used as a Lifter Slide and can be purchased separately or as a part of the gib assembly on page 21.



Part Number	Width W (in)	B (in)	C (in)	C/2 (in)	Height H (in)
2GASLIDE	1.493	0.308	1.110	0.555	1.25
3GASLIDE	1.617	0.371	1.110	0.555	1.25
4GASLIDE	2.367	0.496	1.610	0.805	1.38
6GASLIDE	2.617	0.746	1.610	0.805	1.75

MATERIALS:

- ◆ High quality carburized steel.

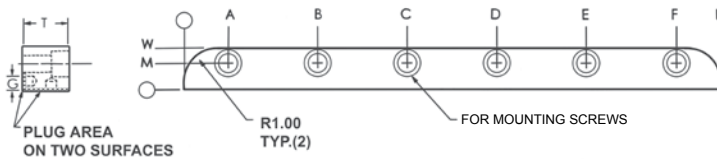
Self-Lubricating Square Gibs – Inch

Product Features

These self-lubricating square gibs are manufactured in inch sizes from 1" to 2" wide and in lengths up to 12". They come standard with mounting holes for ease of assembly. The 12" lengths are available with or without mounting holes.



8SG32G



MATERIALS:

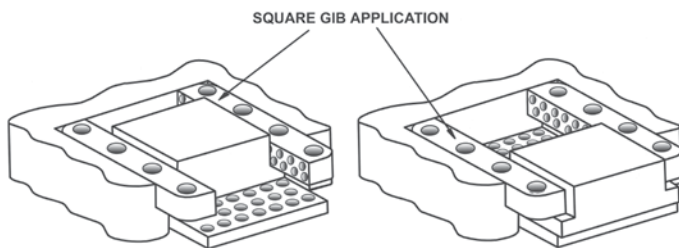
- ◆ Bronze material with oil-impregnated graphite plugs. The plugs cover 25-30% of the wear surface.

TOLERANCES:

- ◆ Unless otherwise noted ± 0.010 in.

MOUNTING SCREWS:

- ◆ 3/8" S.H.C.S recommended
- ◆ Part numbers 6SG96NG, 8SG96NG and 12SG96NG do not include mounting holes.



Part Number	L (in)	W (in)	T (in)	Mounting Hole Pattern & Location							G (in)
				A (in)	B (in)	C (in)	D (in)	E (in)	F (in)	M (in)	
6SG32G	4.00	1.00	0.75	1.00	2.00	3.00	-	-	-	0.625	0.39
6SG40G	5.00				2.50	4.00	-	-	-		
6SG48G	6.00				3.00	5.00	-	-	-		
6SG64G	8.00				3.00	5.00	7.00	-	-		
6SG80G	10.00				3.00	5.00	7.00	9.00	-		
6SG96G	12.00				3.00	5.00	7.00	9.00	11.00		
6SG96NG	12.00	-	-	-	-	-	-	-	-	-	
8SG32G	4.00	1.25	1.00	1.00	2.00	3.00	-	-	-	0.875	0.62
8SG40G	5.00				2.50	4.00	-	-	-		
8SG48G	6.00				3.00	5.00	-	-	-		
8SG64G	8.00				3.00	5.00	7.00	-	-		
8SG80G	10.00				3.00	5.00	7.00	9.00	-		
8SG96G	12.00				3.00	5.00	7.00	9.00	11.00		
8SG96NG	12.00	-	-	-	-	-	-	-	-	-	
12SG64G	8.00	2.00	1.50	1.50	4.00	6.50	-	-	-	1.250	0.86
12SG80G	10.00			1.25	3.75	6.25	8.75	-	-		
12SG96G	12.00			1.50	4.50	7.50	10.50	-	-		
12SG96NG	12.00			-	-	-	-	-	-		

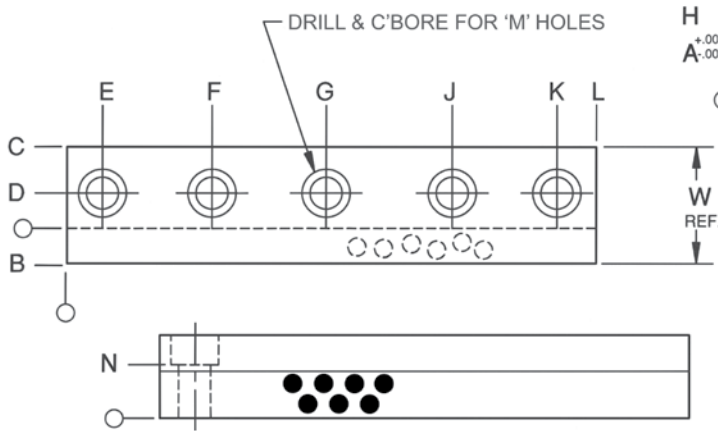
Self-Lubricating L-Gibs – Inch

Product Features

These self-lubricating L-Gibs are manufactured in inch sizes from 3/4" to 3" wide and in lengths up to 24". They are available with or without mounting holes.



3LG48G



MATERIALS:

- ◆ Bronze material with oil-impregnated graphite plugs. The plugs cover 25-30% of the wear surface.

TOLERANCES:

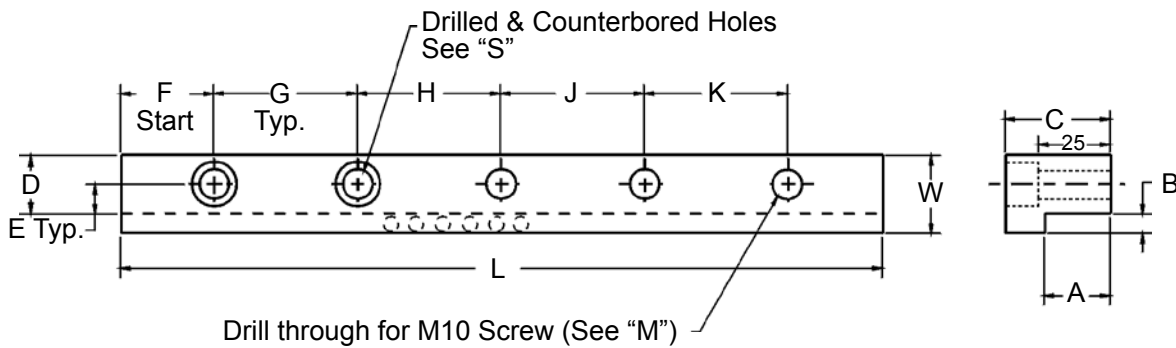
- ◆ Mounting hole locations ± 0.010 in.
- ◆ Unless otherwise noted ± 0.010 in.

Part # with Mounting Holes	Part # W/O Mounting Holes	Length L (in)	Width W (in)	Height H (in)	Mounting Hole Pattern & Location											
					A (in)	B (in)	C (in)	D (in)	E (in)	F (in)	G (in)	J (in)	K (in)	M		N (in)
											# holes	size				
2LG42G	2LG42NG	5.25	0.75	0.75	0.312	0.18	0.56	0.28	0.88	–	2.62	–	4.38	3	1/4 or M6	.25
2LG56G	2LG56NG	7.00							0.88	2.62	–	4.38	6.12	4		
2LG70G	2LG70NG	8.75							0.88	2.62	4.38	6.12	7.88	5		
3LG48G	3LG48NG	6.00	1.00	0.75	0.375	0.25	0.75	0.38	1.00	–	3.00	–	5.00	3	5/16 or M8	.31
3LG64G	3LG64NG	8.00							1.00	3.00	–	5.00	7.00	4		
3LG80G	3LG80NG	10.00							1.00	3.00	5.00	7.00	9.00	5		
4LG48G	4LG48NG	6.00	1.25	0.88	0.500	0.38	0.88	0.44	1.00	–	3.00	–	5.00	3	3/8 or M10	.50
4LG60G	4LG60NG	7.50							1.25	–	3.75	–	6.25	3		
4LG80G	4LG80NG	10.00							1.25	3.75	–	6.25	8.75	4		
4LG100G	4LG100NG	12.50							1.25	3.75	6.25	8.75	11.25	5		
6LG48G	6LG48NG	6.00	1.50	1.25	0.750	0.50	1.00	0.50	1.00	–	3.00	–	5.00	3	3/8 or M10	.75
6LG72G	6LG72NG	9.00							1.50	–	4.50	–	7.50	3		
6LG96G	6LG96NG	12.00							1.50	4.50	–	7.50	10.50	4		
6LG120G	6LG120NG	15.00							1.50	4.50	7.50	10.50	13.50	5		
7LG64G	7LG64NG	8.00	2.00	1.50	0.875	0.62	1.37	0.68	1.00	3.00	–	5.00	7.00	4	1/2 or M12	.75
7LG96G	7LG96NG	12.00							1.50	4.50	–	7.50	10.50	4		
7LG128G	7LG128NG	16.00							2.00	6.00	–	10.00	14.00	4		
10LG96G	10LG96NG	12.00	2.50	2.00	1.250	0.75	1.75	0.88	1.50	4.50	–	7.50	10.50	4	5/8 or M16	1.25
10LG144G	10LG144NG	18.00							2.25	6.75	–	11.25	15.75	4		
10LG192G	10LG192NG	24.00							3.00	9.00	–	15.00	21.00	4		
12LG96G	12LG96NG	12.00	3.00	2.50	1.500	1.00	2.00	1.00	1.50	4.50	–	7.50	10.50	4	5/8 or M16	1.75
12LG144G	12LG144NG	18.00							2.25	6.75	–	11.25	15.75	4		
12LG192G	12LG192NG	24.00							3.00	9.00	–	15.00	21.00	4		

Self-Lubricating L-Gibs – Metric

Product Features

These self-lubricating L-Gibs are manufactured in metric sizes in 32 and 50mm widths and in lengths up to 350mm. They come standard with mounting holes to accommodate an M10 S.H.C.S.



MATERIALS:

- ◆ Bronze material with oil-impregnated graphite plugs. The plugs cover 25-30% of the wear surface.

TOLERANCES:

- ◆ Unless otherwise noted ± 0.25 mm.

MOUNTING SCREWS:

- ◆ M10 S.H.C.S. recommended. 11mm through hole, 18mm Counterbore.

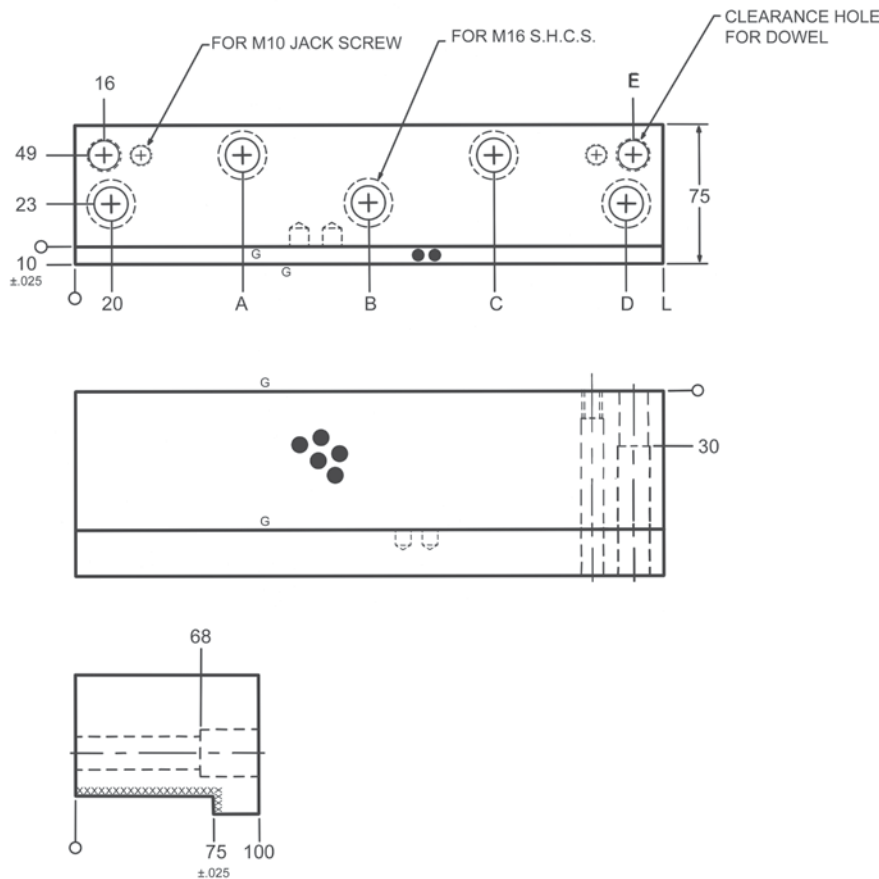
Part Number	L	W	A _{GH}	B _{GW}	C	D	E	F	G	H	J	K	Quantity		M & S Size
		+0.00 -0.13	+0.025 -0.000	±0.13	±0.127								M	S	
15LG100G	100	32	15	10	30	22	11	20	-	-	-	60	2	-	M10
15LG150G	150								-	55	-	55	3	-	
15LG200G	200								55	-	50	55	4	-	
15LG250G	250								70	-	70	70	4	-	
25LG200G	200	50	25	22	45	28	14		55	-	50	55	-	4	
25LG250G	250								70	-	70	70	-	4	
25LG300G	300								65	65	65	65	-	5	
25LG350G	350								80	75	75	80	80	-	

Self-Lubricating 10mm LIP Cam Slide Gibs



Product Features

These Gibs fully conform to the NAAMS standard. They are manufactured from hardened steel with graphite plugs for self-lubricating operation. They are available with dowel holes for location. For ease of identification, all plates are marked with the part number and NAAMS code.



MATERIALS:

- ◆ Manufactured from high quality carburized steel precision ground and hardened to Rc56-62 with oil-impregnated graphite plugs covering 20-30% of the wear surface.

TOLERANCES:

- ◆ Mounting hole locations $\pm 0.25\text{mm}$
- ◆ Dowel hole locations $\pm 0.10\text{mm}$
- ◆ Unless otherwise noted: $\pm 0.25\text{mm}$
- ◆ Break edges $0.4 \times 45^\circ$

MOUNTING SCREWS:

- ◆ M16 S.H.C.S. recommended for mounting
- ◆ M16 dowel holes optional

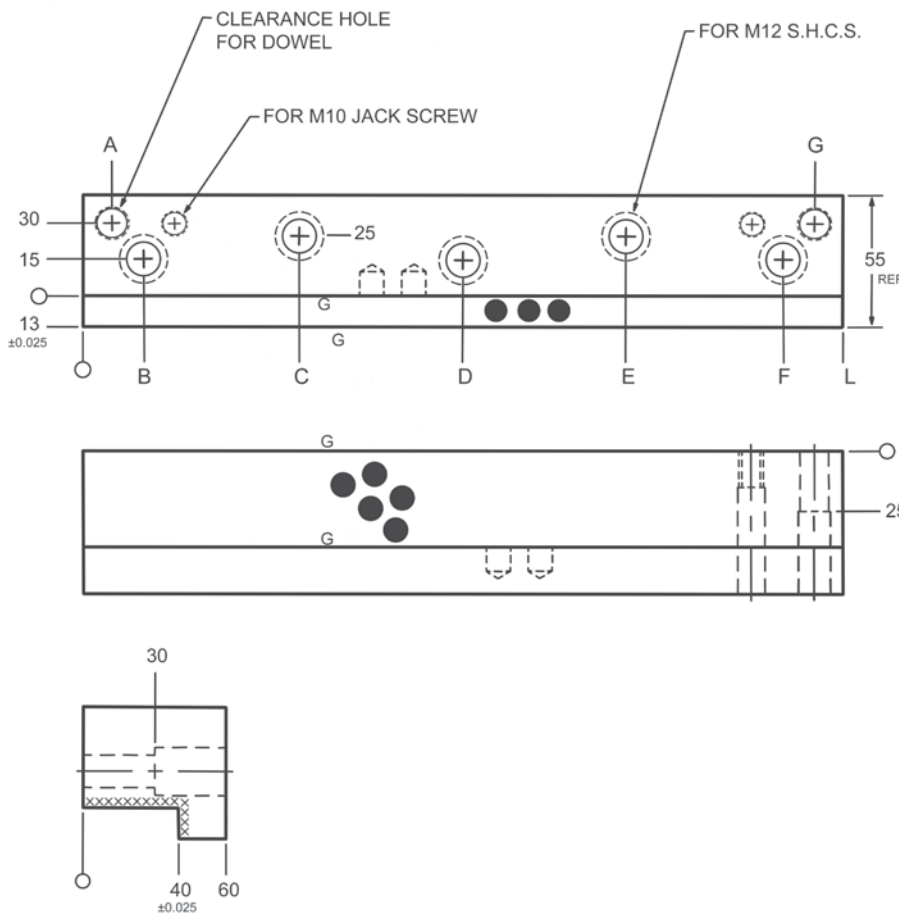
Part Number	NAAMS Code	Length L (mm)	Hole Quantity	Mounting Hole Location				
				A	B	C	D	E
Q75KF160GL	R127516	160	3	–	80	–	140	144
Q75KF200GL	R127520	200	3	–	100	–	180	184
Q75KF250GL	R127525	250	4	90	–	160	230	234
Q75KF315GL	R127531	315	5	89	157	225	295	299

NOTE: Remove "Q" prefix for unfinished dowel holes.

Self-Lubricating 13mm LIP Cam Slide Gibs

Product Features

These Gibs fully conform to the NAAMS standard. They are manufactured from hardened steel with graphite plugs for self-lubricating operation. They are available with dowel holes for location. For ease of identification, all plates are marked with the part number and NAAMS code.



MATERIALS:

- ◆ Manufactured from high quality carburized steel precision ground and hardened to Rc56-62 with oil-impregnated graphite plugs covering 20-30% of the wear surface.

TOLERANCES:

- ◆ Mounting hole locations $\pm 0.25\text{mm}$
- ◆ Dowel hole locations $\pm 0.10\text{mm}$
- ◆ Unless otherwise noted: $\pm 0.25\text{mm}$
- ◆ Break edges $0.4 \times 45^\circ$

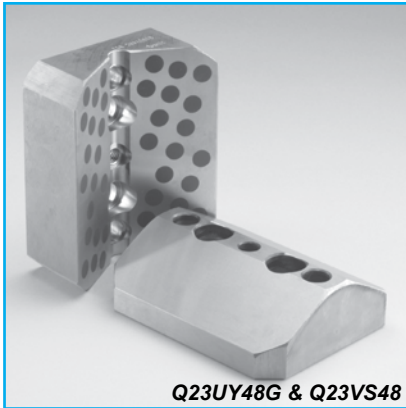
MOUNTING SCREWS:

- ◆ M12 S.H.C.S. recommended for mounting
- ◆ M12 dowel holes optional

Part Number	NAAMS Code	Length L (mm)	Hole Quantity	Mounting Hole Location						
				A	B	C	D	E	F	G
Q40KF160GL	R114016	160	3	12	25	80	–	–	135	148
Q40KF200GL	R114020	200	3	12	25	100	–	–	175	188
Q40KF250GL	R114025	250	4	12	25	90	–	160	225	238
Q40KF315GL	R114031	315	5	12	25	90	157.5	225	290	303

NOTE: Remove "Q" prefix for unfinished dowel holes.

Self-Lubricating U & V Blocks – Inch

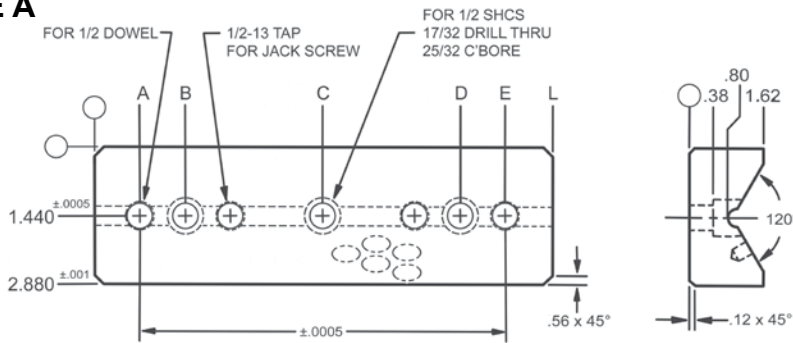


Product Features

These U and V Blocks are manufactured to inch dimensions. The V Block is manufactured from hardened steel and the U block is self-lubricating bronze with oil-impregnated graphite plugs. The blocks are provided with 1/2" dowel holes and are drilled and counterbored to accommodate 1/2" S.H.C.S. for mounting.

FIGURE A

Bronze
U-Block

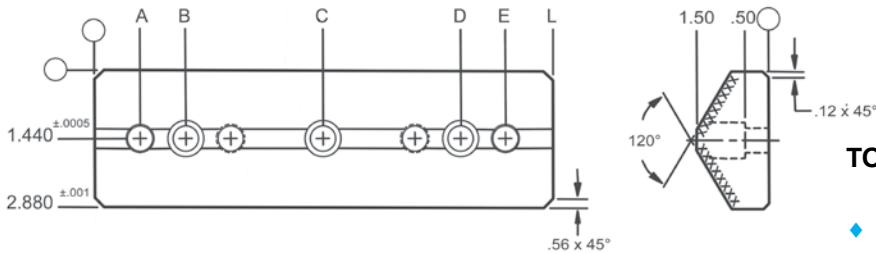


MATERIALS:

- ◆ V Blocks are manufactured from high quality carburized steel. They are precision ground and hardened to Rc56-62.
- ◆ U Blocks are manufactured from bronze material with oil-impregnated graphite plugs.

FIGURE B

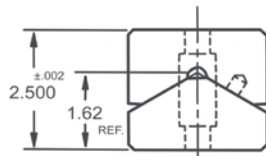
Steel
V-Block



TOLERANCES:

- ◆ Unless otherwise noted ± 0.010 in.

FIGURE C
Assembly



MOUNTING SCREWS:

- ◆ 1/2" S.H.C.S. recommended for mounting. Plate has 17/32" drill through 25/32" counterbore.

U Block Part Number	V Block Part Number	Length L (in)	Mounting Hole Qty.	Mounting Hole Locations				
				A (in)	B (in)	C (in)	D (in)	E (in)
Q23UY48G	Q23VS48	6.00	2	0.75	1.75	–	4.25	5.25
Q23UY64G	Q23VS64	8.00	2	1.00	2.00	–	6.00	7.00
Q23UY80G	Q23VS80	10.00	3	1.00	2.00	5.00	8.00	9.00

Self-Lubricating U & V Blocks – Inch

Product Features

These U and V Blocks are manufactured to inch dimensions. The V Block is manufactured from hardened steel and the U block is self-lubricating bronze with oil-impregnated graphite plugs. The blocks are provided with 5/8" dowel holes and are drilled and counterbored to accommodate 5/8" S.H.C.S. for mounting.

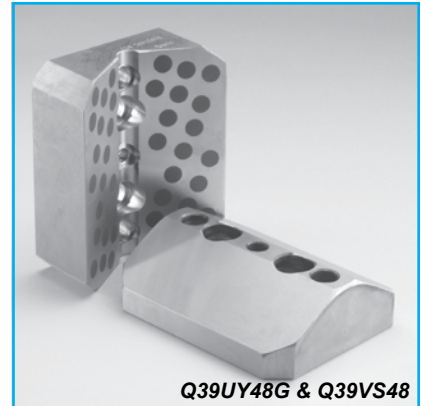


FIGURE A
Bronze
U-Block

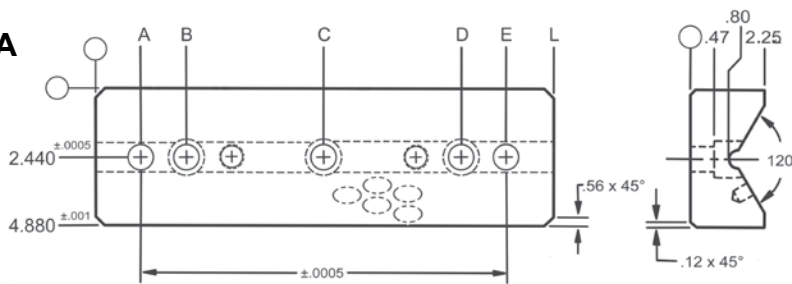


FIGURE B
Steel
V-Block

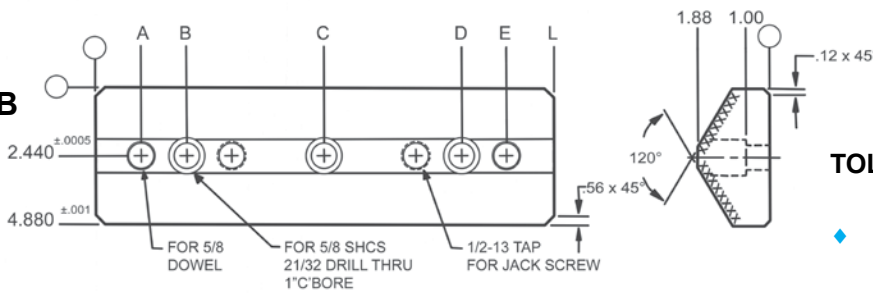
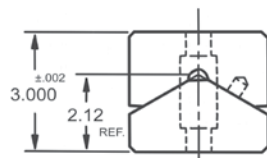


FIGURE C
Assembly



MATERIALS:

- ◆ V Blocks are manufactured from high quality carburized steel. They are precision ground and hardened to Rc56-62.
- ◆ U Blocks are manufactured from bronze material with oil-impregnated graphite plugs.

TOLERANCES:

- ◆ Unless otherwise noted ± 0.010 in.

MOUNTING SCREWS:

- ◆ 5/8" S.H.C.S. recommended for mounting. Plate has 21/32" drill through 1" counterbore.

U Block Part Number	V Block Part Number	Length L (in)	Mounting Hole Qty.	Mounting Hole Locations				
				A (in)	B (in)	C (in)	D (in)	E (in)
Q39UY48G	Q39VS48	6.00	2	0.75	1.75	–	4.25	5.25
Q39UY64G	Q39VS64	8.00	2	1.00	2.00	–	6.00	7.00
Q39UY80G	Q39VS80	10.00	3	1.00	2.00	5.00	8.00	9.00

NAAMS U & V Blocks – Metric



Product Features

These 65, 75, 125 and 175mm U and V Blocks are manufactured to metric dimensions and fully meet the NAAMS standard. The U Block is manufactured from hardened steel. The V block is self-lubricating in design and is available in either bronze with oil-impregnated graphite plugs or steel with oil-impregnated graphite plugs.

FIGURE A - Steel U Block

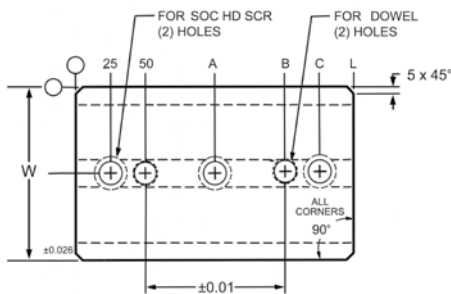


FIGURE B - Self-lubricating V Block

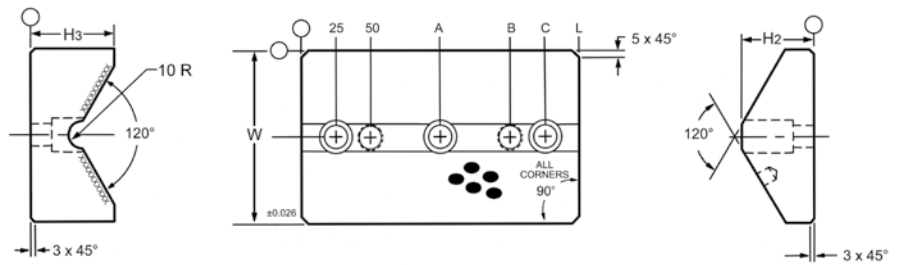
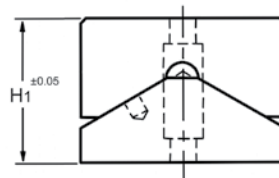


FIGURE C - Assembly



MATERIALS:

- ◆ U Blocks are manufactured from high quality carburized steel. They are precision ground and hardened to Rc56-62.
- ◆ V Blocks are manufactured from bronze material with oil-impregnated graphite plugs or steel with oil-impregnated graphite plugs.

TOLERANCES:

- ◆ Between screw holes: $\pm 0.12\text{mm}$
- ◆ Between dowel holes: $\pm 0.10\text{mm}$
- ◆ Unless otherwise noted: $\pm 0.25\text{mm}$

RECOMMENDED MOUNTING SCREWS & DOWELS:

- ◆ **65mm blocks:** M12 S.H.C.S./M12 DOWELS
- ◆ **75mm blocks:** M12 S.H.C.S. /M12 DOWELS
- ◆ **125mm blocks:** M16 S.H.C.S. M16 DOWELS
- ◆ **175mm blocks:** M16 S.H.C.S. M16 DOWELS

NAAMS

U & V Blocks – Metric

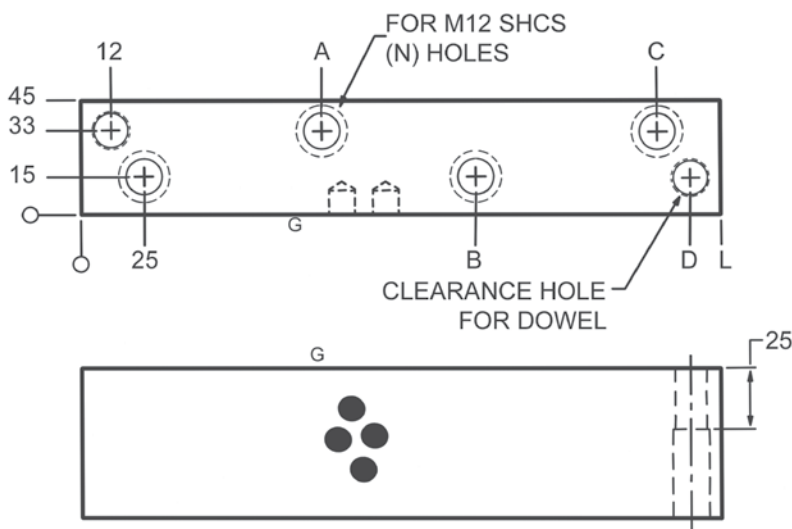
U Block		Steel V Block		Bronze V Block		Width W (mm)	Length L (mm)	Hole Qty.	A (mm)	B (mm)	C (mm)	H1 (mm)	H2 (mm)	H3 (mm)
Part Number	NAAMS Code	Part Number	NAAMS Code	Part Number	NAAMS Code									
Q65US150	G157515	Q65VS150G	G167515	Q65VY150G	G177515	65	150	2	–	100	125	65	39	40
Q65US200	G157520	Q65VS200G	G167520	Q65VY200G	G177520	65	200	2	–	150	175	65	39	40
Q65US250	G157525	Q65VS250G	G167525	Q65VY250G	G177525	65	250	3	125	200	225	65	39	40
Q65US300	G157530	Q65VS300G	G167530	Q65VY300G	G177530	65	300	3	150	250	275	65	39	40
Q75US150	G217515	Q75VS150G	G227515	Q75VY150G	G237515	75	150	2	–	100	125	65	39	40
Q75US200	G217520	Q75VS200G	G227520	Q75VY200G	G237520	75	200	2	–	150	175	65	39	40
Q75US250	G217525	Q75VS250G	G227525	Q75VY250G	G237525	75	250	3	125	200	225	65	39	40
Q75US300	G217530	Q75VS300G	G227530	Q75VY300G	G237530	75	300	3	150	250	275	65	39	40
Q125US150	G311215	Q125VS150G	G321215	Q125VY150G	G331215	125	150	2	–	100	125	85	52	60
Q125US200	G311220	Q125VS200G	G321220	Q125VY200G	G331220	125	200	2	–	150	175	85	52	60
Q125US250	G311225	Q125VS250G	G321225	Q125VY250G	G331225	125	250	3	125	200	225	85	52	60
Q125US300	G311230	Q125VS300G	G321230	Q125VY300G	G331230	125	300	3	150	250	275	85	52	60
Q175US150	G341715	Q175VS150G	G351715	Q175VY150G	G361715	175	150	2	–	100	125	110	67	80
Q175US200	G341720	Q175VS200G	G351720	Q175VY200G	G361720	175	200	2	–	150	175	110	67	80

Self-Lubricating 45mm Guide Blocks – Metric



Product Features

These guide blocks fully meet the NAAMS standard. The oil-impregnated graphite plugs cover 20-30% of the wear surface, ensuring self-lubrication. They are available with or without dowel holes. For ease of identification, all parts are marked with the part number and NAAMS code.



MATERIALS:

- ◆ High quality carburized steel with oil-impregnated graphite plugs. They are precision ground and hardened to Rc56-62.

TOLERANCES:

- ◆ Mounting hole locations $\pm 0.25\text{mm}$
- ◆ Dowel holes $\pm 0.10\text{mm}$

MOUNTING SCREWS:

- ◆ M12 S.H.C.S. recommended for mounting.

Self-Lubricating 45mm Guide Blocks – Metric

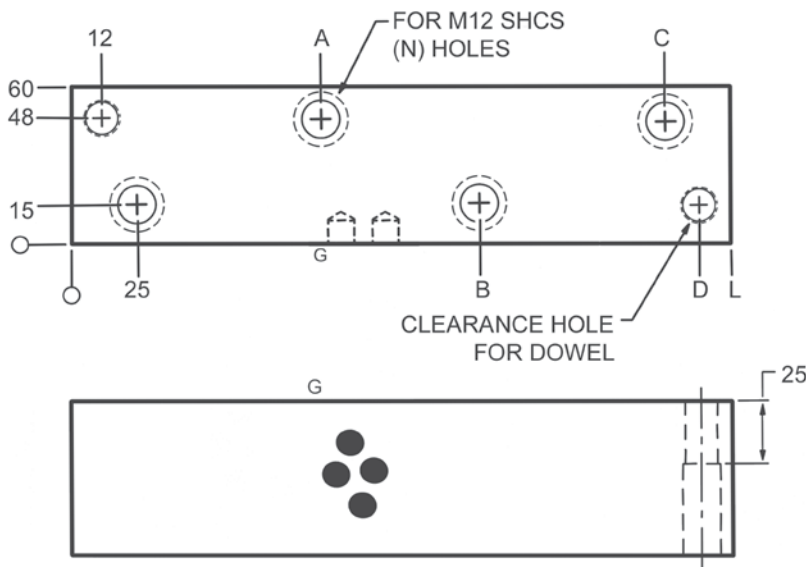
Part Number	NAAMS Code	Length L (mm)	Hole Qty.	Mounting Hole Location				E (mm)	F (mm)
				A (mm)	B (mm)	C (mm)	D (mm)		
Q40G75G	G 014007	75	2	–	–	50	63	40	25
Q40G100G	G 014010	100	2	–	–	75	88		
Q40G125G	G 014012	125	3	–	62.5	100	113		
Q40G150G	G 014015	150	3	–	75.0	125	138		
Q40G175G	G 014017	175	3	–	87.5	150	163		
Q40G200G	G 014020	200	4	75	125.0	175	188		
Q40G225G	G 014022	225	4	85	140.0	200	213		
Q40G250G	G 014025	250	4	95	165.0	225	238		
Q45G75G	G 014507	75	2	–	–	50	63		
Q45G100G	G 014510	100	2	–	–	75	88		
Q45G125G	G 014512	125	3	–	62.5	100	113		
Q45G150G	G 014515	150	3	–	75.0	125	138		
Q45G175G	G 014517	175	3	–	87.5	150	163		
Q45G200G	G 014520	200	4	75	125.0	175	188		
Q45G225G	G 014522	225	4	85	140.0	200	213		
Q45G250G	G 014525	250	4	95	165.0	225	238		
Q50G75G	G 015007	75	2	–	–	50	63	50	20
Q50G100G	G 015010	100	2	–	–	75	88		
Q50G125G	G 015012	125	3	–	62.5	100	113		
Q50G150G	G 015015	150	3	–	75.0	125	138		
Q50G175G	G 015017	175	3	–	87.5	150	163		
Q50G200G	G 015020	200	4	75	125.0	175	188		
Q50G225G	G 015022	225	4	85	140.0	200	213		
Q50G250G	G 015025	250	4	95	165.0	225	238		
Q60G75G	G 016007	75	2	–	–	50	63		
Q60G100G	G 016010	100	2	–	–	75	88		
Q60G125G	G 016012	125	3	–	62.5	100	113		
Q60G150G	G 016015	150	3	–	75.0	125	138		
Q60G175G	G 016017	175	3	–	87.5	150	163		
Q60G200G	G 016020	200	4	75	125.0	175	188		
Q60G225G	G 016022	225	4	85	140.0	200	213		
Q60G250G	G 016025	250	4	95	165.0	225	238		
Q75G75G	G 017507	75	2	–	–	50	63	75	45
Q75G100G	G 017510	100	2	–	–	75	88		
Q75G125G	G 017512	125	3	–	62.5	100	113		

Self-Lubricating 60mm Guide Blocks – Metric



Product Features

These guide blocks fully meet the NAAMS standard. The oil-impregnated graphite plugs cover 20-30% of the wear surface, ensuring self-lubrication. They are available with or without dowel holes. For ease of identification, all parts are marked with the part number and NAAMS code.



MATERIALS:

- ◆ High quality carburized steel with oil-impregnated graphite plugs. They are precision ground and hardened to Rc56-62.

TOLERANCES:

- ◆ Mounting hole locations $\pm 0.25\text{mm}$
- ◆ Dowel holes $\pm 0.10\text{mm}$

MOUNTING SCREWS:

- ◆ M12 S.H.C.S. recommended for mounting.

Self-Lubricating 60mm Guide Blocks – Metric

Part Number	NAAMS Code	Length L (mm)	Hole Qty.	Mounting Hole Location				E (mm)	F (mm)
				A (mm)	B (mm)	C (mm)	D (mm)		
Q50GH75G	G 025007	75	2	–	–	50	63	50	20
Q50GH100G	G 025010	100	2	–	–	75	88		
Q50GH125G	G 025012	125	3	–	62.5	100	113		
Q50GH150G	G 025015	150	3	–	75.0	125	138		
Q50GH175G	G 025017	175	3	–	87.5	150	163		
Q50GH200G	G 025020	200	4	75	125.0	175	188		
Q50GH225G	G 025022	225	4	85	140.0	200	213		
Q50GH250G	G 025025	250	4	95	165.0	225	238		
Q60GH75G	G 026007	75	2	–	–	50	63	60	30
Q60GH100G	G 026010	100	2	–	–	75	88		
Q60GH125G	G 026012	125	3	–	62.5	100	113		
Q60GH150G	G 026015	150	3	–	75.0	125	138		
Q60GH175G	G 026017	175	3	–	87.5	150	163		
Q60GH200G	G 026020	200	4	75	125.0	175	188		
Q60GH225G	G 026022	225	4	85	140.0	200	213		
Q60GH250G	G 026025	250	4	95	165.0	225	238		
Q80GH75G	G 028007	75	2	–	–	50	63	80	50
Q80GH100G	G 028010	100	2	–	–	75	88		
Q80GH125G	G 028012	125	3	–	62.5	100	113		
Q80GH150G	G 028015	150	3	–	75.0	125	138		
Q80GH175G	G 028017	175	3	–	87.5	150	163		
Q80GH200G	G 028020	200	4	75	125.0	175	188		
Q80GH225G	G 028022	225	4	85	140.0	200	213		
Q80GH250G	G 028025	250	4	95	165.0	225	238		
Q100GH75G	G 020007	75	2	–	–	50	63	100	70
Q100GH100G	G 020010	100	2	–	–	75	88		
Q100GH125G	G 020012	125	3	–	62.5	100	113		
Q100GH150G	G 020015	150	3	–	75.0	125	138		
Q100GH175G	G 020017	175	3	–	87.5	150	163		
Q100GH200G	G 020020	200	4	75	125.0	175	188		
Q100GH225G	G 020022	225	4	85	140.0	200	213		
Q100GH250G	G 020025	250	4	95	165.0	225	238		

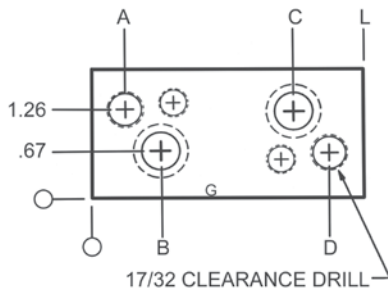
Medium Duty Self-Lubricating Guide Blocks – Inch



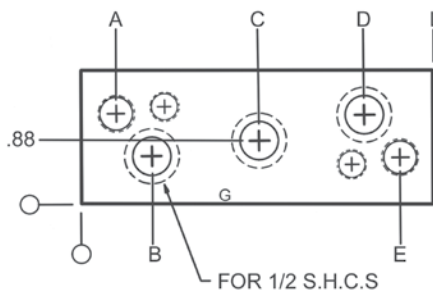
Product Features

These medium duty guide blocks are manufactured from hardened steel with oil-impregnated graphite plugs covering 20-30% of the wear surface. The blocks are supplied with mounting holes for 1/2" S.H.C.S. All blocks are marked with the part number for ease of identification.

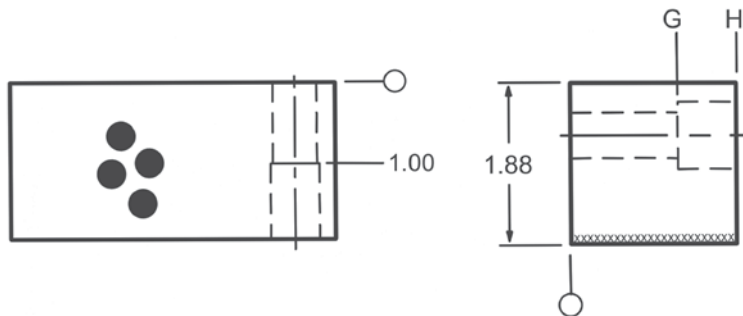
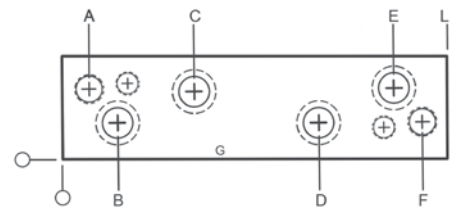
FOR 3.0" & 4.0" LENGTHS



FOR 5.0" & 6.0" LENGTHS



FOR 8.0" TO 10.0" LENGTHS



MATERIALS:

- ◆ High quality carburized steel with oil-impregnated graphite plugs. They are precision ground and hardened to Rc56-62.

MOUNTING SCREWS:

- ◆ 1/2" S.H.C.S. recommended for mounting

Medium Duty Self-Lubricating Guide Blocks – Inch

GENERAL DIMENSIONS	Length	Mounting Hole Quantity	Mounting Hole Location					
	L (in)		A (in)	B (in)	C (in)	D (in)	E (in)	F (in)
	3.00	2	.50	1.00	2.00	2.50	–	–
	4.00	3			3.00	3.50	–	–
	5.00	3			2.50	4.00	4.50	–
	6.00	3			3.00	5.00	5.50	–
	8.00	4			2.38	5.62	7.00	7.50
	10.00	4			3.50	6.50	9.00	9.50

Part Number	Length L (in)	G (in)	H (in)
14G24G	3	1.00	1.69
14G32G	4		
14G40G	5		
14G48G	6		
14G64G	8		
14G80G	10		
16G24G	3	1.25	1.94
16G32G	4		
16G40G	5		
16G48G	6		
16G64G	8		
16G80G	10		
20G24G	3	1.25	2.44
20G32G	4		
20G40G	5		
20G48G	6		
20G64G	8		
20G80G	10		
24G24G	3	1.25	2.94
24G32G	4		
24G40G	5		
24G48G	6		
24G64G	8		
24G80G	10		

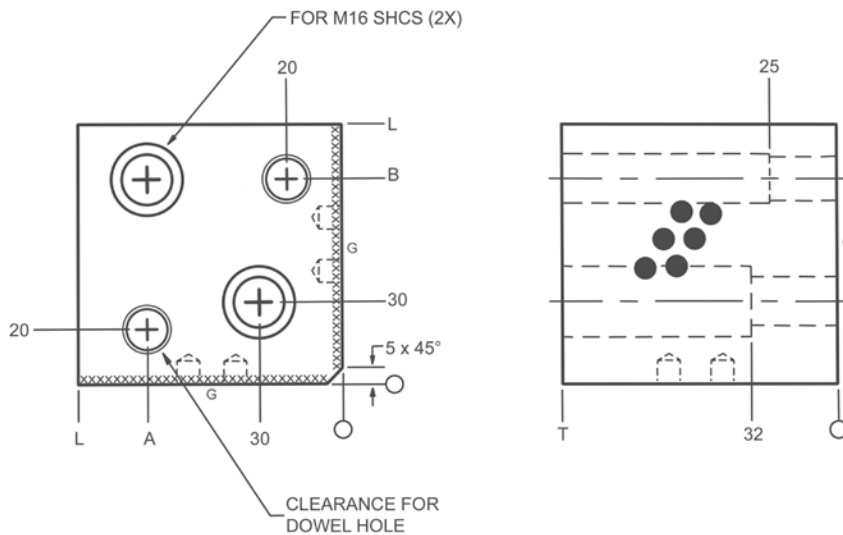
Self-Lubricating Corner Guide Blocks – Metric



Q80GD100G

Product Features

These metric corner guide blocks fully meet the NAAMS standard. The oil-impregnated graphite plugs cover 20-30% of the wear surface, ensuring self-lubrication. They are available with dowel holes.



MATERIALS:

- ◆ High quality carburized steel with oil-impregnated graphite plugs. They are precision ground and hardened to Rc56-62.

TOLERANCES:

- ◆ Mounting hole locations $\pm 0.25\text{mm}$
- ◆ Dowel holes $\pm 0.10\text{mm}$

MOUNTING SCREWS:

- ◆ M16 S.H.C.S. recommended for mounting

Part Number	NAAMS Code	Thickness T (mm)	Length L (mm)	A (mm)	B (mm)
Q80GD75G	G118007	75	80	55	60
Q80GD100G	G118010	100			
Q80GD125G	G118012	125			
Q95GD75G	G119507	75	95	70	75
Q95GD100G	G119510	100			
Q95GD125G	G119512	125			
Q120GD75G	G111207	75	120	95	100
Q120GD100G	G111210	100			
Q120GD125G	G111212	125			

Self-Lubricating Center Key & Guide – Metric

Product Features

The Center Key and Center Key Guide are available in 200 and 300mm lengths and fully meet the NAAMS standard. They come standard with M12 dowel holes for location and are drilled to accommodate M12 S.H.C.S. for mounting.

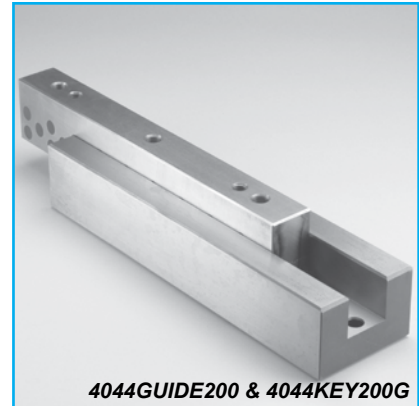


FIGURE A
Center Key Guide

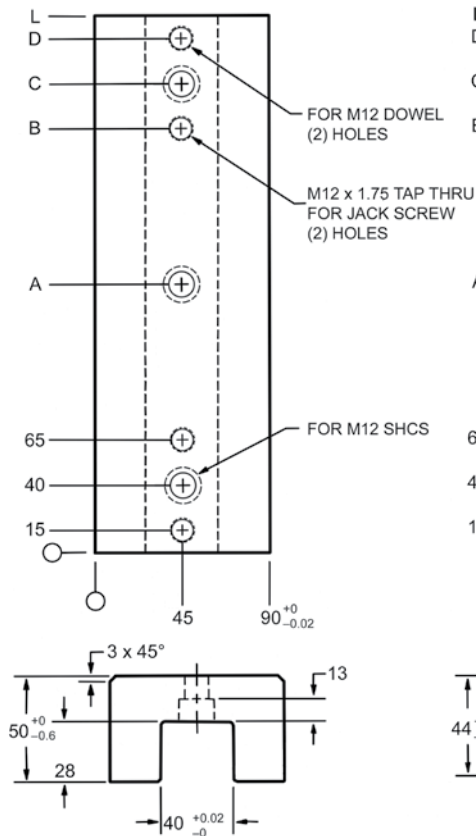
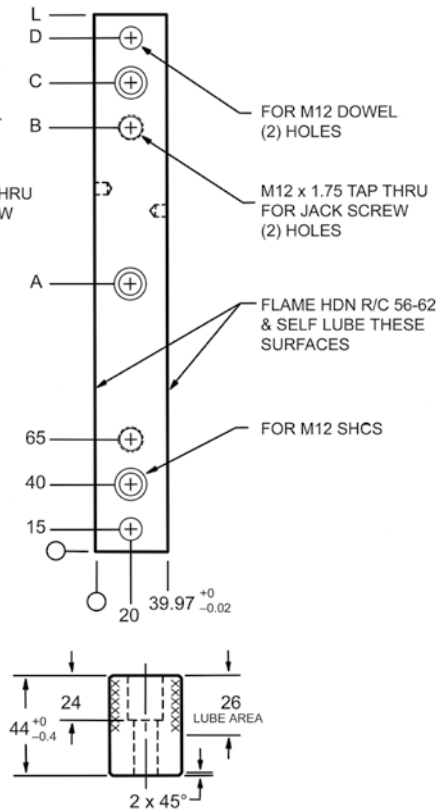


FIGURE B
Center Key



MATERIALS:

- Center Key Guide is manufactured from high quality carburized steel. The wear surfaces are precision ground and hardened to Rc56-62.
- Center Key is manufactured from high quality carburized steel with oil-impregnated graphite plugs covering 20-30% of the wear surface. The wear surface is precision ground and hardened to Rc56-62. The product is also available as a special in bronze material.

TOLERANCES:

- Mounting hole locations ± 0.25 mm
- Dowel hole locations ± 0.10 mm

MOUNTING SCREWS:

- M12 S.H.C.S. are recommended for mounting.

Part Number	Steel NAAMS Code	Bronze NAAMS Code	Length L (mm)	Mounting Hole Qty.	A (mm)	B (mm)	C (mm)	D (mm)	Figure
4044GUIDE200	G419020	N/A	200	2	—	135	160	185	A
4044GUIDE300	G419030	N/A	300	3	150	235	260	285	A
4044KEY200G	G424020	—	200	2	—	135	160	185	B
4044KEY300G	G424030	—	300	3	150	235	260	285	B
4044KEY200GBRZ	—	G434020	200	2	—	135	160	185	B
4044KEY300GBRZ	—	G434030	300	3	150	235	260	285	B

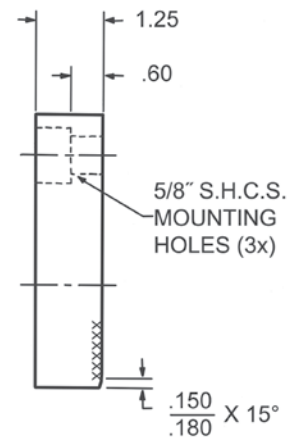
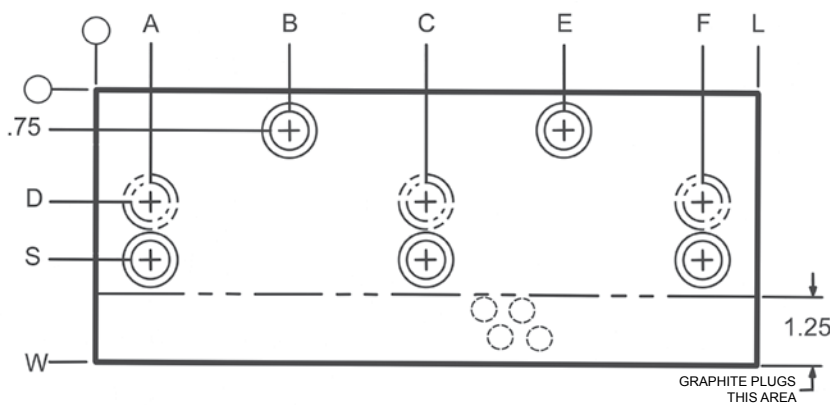
Self-Lubricating Keeper Plates – Inch



KPSG10408

Product Features

These self-lubricating Keeper plates are 1-1/4 inch thick and are available in 4- and 5-inch widths and up to 12 inches in length. They are manufactured from hardened steel with oil-impregnated graphite plugs. The Keepers are available with or without mounting holes. The 5-inch width Keepers are also available in a double-sided mounting style.



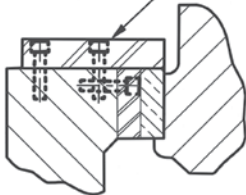
MATERIALS:

- High quality carburized steel with oil-impregnated graphite plugs. They are precision ground and hardened to Rc56-62.

MOUNTING SCREWS:

- Three 5/8" S.H.C.S. are recommended for mounting. Plate has 11/16" drill through 1" counterbore.

NOTE: CHECK ALL SCREW HOLE LOCATIONS. STAGGER KEEPER PLATE AND WEAR PLATES TO AVOID SCREW INTERFERENCE. IF NOT POSSIBLE, THEN SPECIFY AN UNDRILLED KEEPER PLATE (SUFFIX "N").



Width W (in)	Length L (in)	Part Number (w/mount'g holes)	Part Number (w/o mount'g holes)	Part Number (double sided)	S (in)	Mounting Hole Location					
						A (in)	B (in)	C (in)	D (in)	E (in)	F (in)
4.00	8.00	KPSG10408	KPSG10408N	KPSG10408D	2.12	1.50	4.00	–	–	–	6.50
	10.00	KPSG10410	KPSG10410N	KPSG10410D			3.25	5.00		6.75	8.50
	12.00	KPSG10412	KPSG10412N	KPSG10412D			3.75	6.00		8.25	10.50
5.00	8.00	KPSG10508	KPSG10508N	KPSG10508D	3.12	1.00	4.00	–	2.25	–	7.00
	10.00	KPSG10510	KPSG10510N	KPSG10510D			3.00	5.00		7.00	9.00
	12.00	KPSG10512	KPSG10512N	KPSG10512D			3.50	6.00		8.50	11.00

Self-Lubricating Keeper Plates – Metric

Product Features

These self-lubricating metric Keeper plates are 30mm thick and fully meet the NAAMS standard. They are manufactured from hardened steel with oil-impregnated graphite plugs. The plates are available with or without mounting holes.

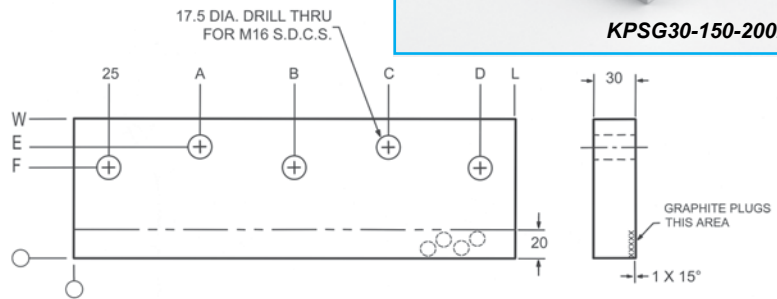


MATERIALS:

- High quality carburized steel with oil-impregnated graphite plugs. They are precision ground and hardened to Rc56-62.

MOUNTING SCREWS:

- M16 SDCS recommended for mounting with 17.5mm drill thru in plate.



Width W (mm)	Length L (mm)	With Mounting Holes		Without Mounting Holes		Mount'g. Hole Quantity	Mounting Hole Locations					
		Part Number	NAAMS Code	Part Number	NAAMS Code		A (mm)	B (mm)	C (mm)	D (mm)	E (mm)	F (mm)
75	200	KPSG30-75-200F	—	KPSG30-75-200N	—	3	100	—	—	175	55	40
	250	KPSG30-75-250F	—	KPSG30-75-250N	—	3	125	—	—	225		
	315	KPSG30-75-315F	—	KPSG30-75-315N	—	5	90	158	225	290		
	350	KPSG30-75-350F	—	KPSG30-75-350N	—	5	100	175	250	325		
	400	KPSG30-75-400F	—	KPSG30-75-400N	—	5	115	200	285	375		
	450	KPSG30-75-450F	—	KPSG30-75-450N	—	5	125	225	325	425		
100	200	KPSG30-100-200F	R211020	KPSG30-100-200N	R221020	3	100	—	—	175	80	55
	250	KPSG30-100-250F	R211025	KPSG30-100-250N	R221025	4	90	—	160	225		
	315	KPSG30-100-315F	R211031	KPSG30-100-315N	R221031	5	90	158	225	290		
	350	KPSG30-100-350F	R211035	KPSG30-100-350N	R221035	5	100	175	250	325		
	400	KPSG30-100-400F	R211040	KPSG30-100-400N	R221040	5	115	200	285	375		
	450	KPSG30-100-450F	R211045	KPSG30-100-450N	R221045	5	125	225	325	425		
125	200	KPSG30-125-200F	R211220	KPSG30-125-200N	R221220	3	100	—	—	175	105	65
	250	KPSG30-125-250F	R211225	KPSG30-125-250N	R221225	4	90	—	160	225		
	315	KPSG30-125-315F	R211231	KPSG30-125-315N	R221231	5	90	158	225	290		
	350	KPSG30-125-350F	R211235	KPSG30-125-350N	R221235	5	100	175	250	325		
	400	KPSG30-125-400F	R211240	KPSG30-125-400N	R221240	5	115	200	285	375		
	450	KPSG30-125-450F	R211245	KPSG30-125-450N	R221245	5	125	225	325	425		
150	200	KPSG30-150-200F	R211520	KPSG30-150-200N	R221520	3	100	—	—	175	130	65
	250	KPSG30-150-250F	R211525	KPSG30-150-250N	R221525	4	90	—	160	225		
	315	KPSG30-150-315F	R211531	KPSG30-150-315N	R221531	5	90	158	225	290		
	350	KPSG30-150-350F	R211535	KPSG30-150-350N	R221535	5	100	175	250	325		
	400	KPSG30-150-400F	R211540	KPSG30-150-400N	R221540	5	115	200	285	375		
	450	KPSG30-150-450F	R211545	KPSG30-150-450N	R221545	5	125	225	325	425		

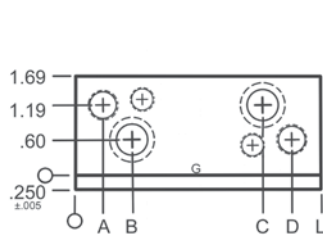
Light Duty K Series Self-Lubricating Keeper Blocks – Inch



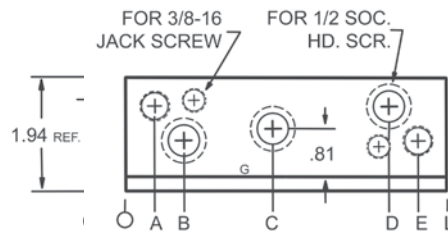
Product Features

These light duty Keeper blocks are manufactured from hardened steel with oil-impregnated graphite plugs covering 20-30% of the wear surface. The Keepers are supplied with mounting holes for 1/2" S.H.C.S. All blocks are marked with the part number for ease of identification.

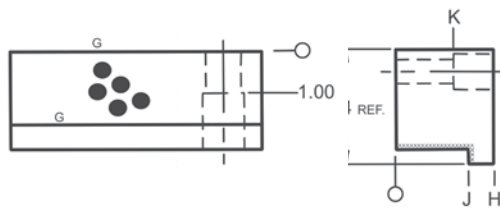
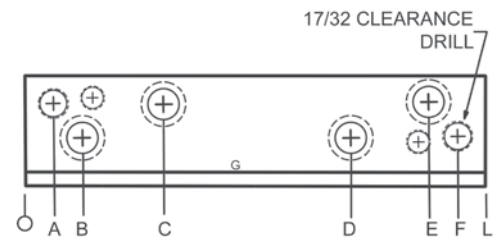
FOR 3.0" & 4.0" LENGTHS



FOR 5.0" & 6.0" LENGTHS



FOR 8.0" TO 10.0" LENGTHS



MATERIALS:

- ◆ High quality carburized steel with oil-impregnated graphite plugs. They are precision ground and hardened to Rc56-62.

TOLERANCES:

- ◆ J Dimension ± 0.001 in.

MOUNTING SCREWS:

- ◆ 1/2" S.H.C.S. recommended for mounting.

Light Duty K Series Self-Lubricating Keeper Blocks – Inch

GENERAL DIMENSIONS	Length L (in)	Mounting Hole Quantity	Mounting Hole Location					
			A (in)	B (in)	C (in)	D (in)	E (in)	F (in)
	3.00	2	0.50	1.00	2.00	2.50	–	–
	4.00	2			3.00	3.50	–	–
	5.00	3			2.50	4.00	4.50	–
	6.00	3			3.00	5.00	5.50	–
	8.00	4			2.38	5.62	7.00	7.50
	10.00	4			3.50	6.50	9.00	9.50

Part Number	Length L (in)	H (in)	J (in)	K (in)
8K24G	3.00	1.44	1.000	0.94
8K32G	4.00			
8K40G	5.00			
8K48G	6.00			
8K64G	8.00			
8K80G	10.00			
10K24G	3.00	1.69	1.250	1.00
10K32G	4.00			
10K40G	5.00			
10K48G	6.00			
10K64G	8.00			
10K80G	10.00			
12K24G	3.00	1.94	1.500	1.25
12K32G	4.00			
12K40G	5.00			
12K48G	6.00			
12K64G	8.00			
12K80G	10.00			
14K24G	3.00	2.44	1.750	1.25
14K32G	4.00			
14K40G	5.00			
14K48G	6.00			
14K64G	8.00			
14K80G	10.00			

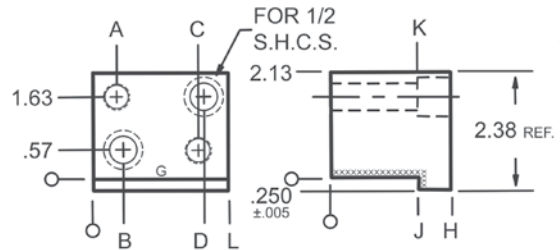
Medium Duty KM Series Self-Lubricating Keeper Blocks – Inch



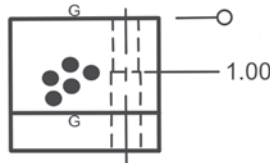
8KM24G

Product Features

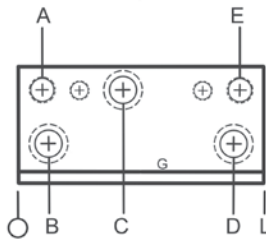
These medium duty Keeper blocks are manufactured from hardened steel with oil-impregnated graphite plugs covering 20-30% of the wear surface. The Keepers are supplied with mounting holes for 1/2" S.H.C.S. All blocks are marked with the part number for ease of identification.



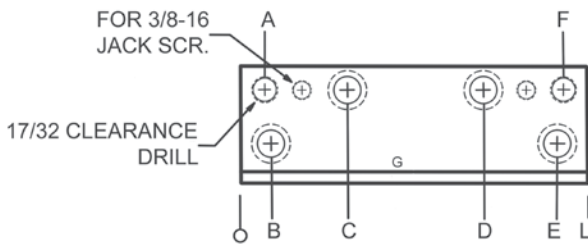
FOR 3.0" LENGTHS



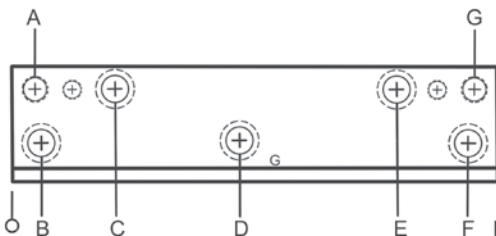
FOR 4.0" TO 6.0" LENGTHS



FOR 8.0" LENGTHS



FOR 10.0" LENGTHS



Part Number	Length L (in)	H (in)	J (in)	K (in)
8KM24G	3.00	1.62	1.000	1.00
8KM32G	4.00			
8KM40G	5.00			
8KM48G	6.00			
8KM64G	8.00			
8KM80G	10.00	1.88	1.250	1.25
10KM24G	3.00			
10KM32G	4.00			
10KM40G	5.00			
10KM48G	6.00			
10KM64G	8.00	2.12	1.500	1.50
10KM80G	10.00			
12KM24G	3.00			
12KM32G	4.00			
12KM40G	5.00			
12KM48G	6.00	2.44	1.750	1.25
12KM64G	8.00			
12KM80G	10.00			
14KM24G	3.00			
14KM32G	4.00			
14KM40G	5.00			
14KM48G	6.00			
14KM64G	8.00			
14KM80G	10.00			

Medium Duty KM Series Self-Lubricating Keeper Blocks – Inch

GENERAL DIMENSIONS	Length L (in)	Mounting Hole Quantity	Mounting Hole Location						
			A (in)	B (in)	C (in)	D (in)	E (in)	F (in)	G (in)
	3.00	2	0.50	0.62	2.38	2.50	–	–	–
	4.00	3			2.12	3.38	3.50	–	–
	5.00	3			2.12	4.38	4.50	–	–
	6.00	3			2.12	5.38	5.50	–	–
	8.00	4			2.12	5.88	7.38	7.50	–
	10.00	5			2.12	5.38	7.88	9.38	9.50

Part Number	Length L (in)	H (in)	J (in)	K (in)
16KM24G	3.00	2.69	2.000	1.75
16KM32G	4.00			
16KM40G	5.00			
16KM48G	6.00			
16KM64G	8.00			
16KM80G	10.00			
18KM24G	3.00	2.88	2.250	1.75
18KM32G	4.00			
18KM40G	5.00			
18KM48G	6.00			
18KM64G	8.00			
18KM80G	10.00			
20KM24G	3.00	3.25	2.500	1.75
20KM32G	4.00			
20KM40G	5.00			
20KM48G	6.00			
20KM64G	8.00			
20KM80G	10.00			
22KM24G	3.00	3.38	2.750	1.75
22KM32G	4.00			
22KM40G	5.00			
22KM48G	6.00			
22KM64G	8.00			
22KM80G	10.00			

MATERIALS:

- ◆ High quality carburized steel with oil-impregnated graphite plugs. They are precision ground and hardened to Rc56-62.

TOLERANCES:

- ◆ $J \pm 0.001$ in.

MOUNTING SCREWS:

- ◆ 1/2" S.H.C.S. recommended for mounting

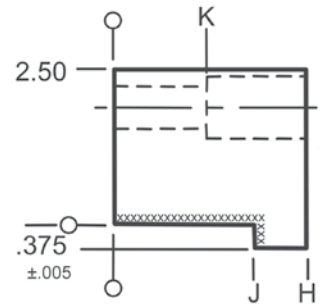
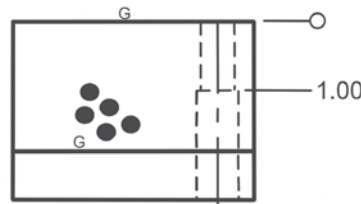
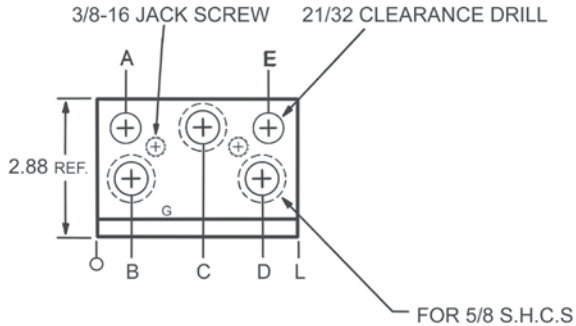
Heavy Duty KH Series Self-Lubricating Keeper Blocks



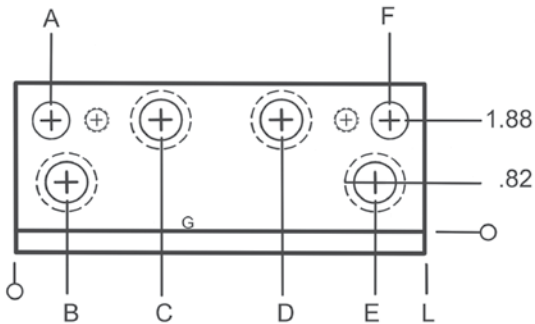
Product Features

These heavy duty Keeper blocks are manufactured from hardened steel with oil-impregnated graphite plugs covering 25% of the wear surface. The Keepers are supplied with mounting holes for 5/8" S.H.C.S. All blocks are marked with the part number for ease of identification.

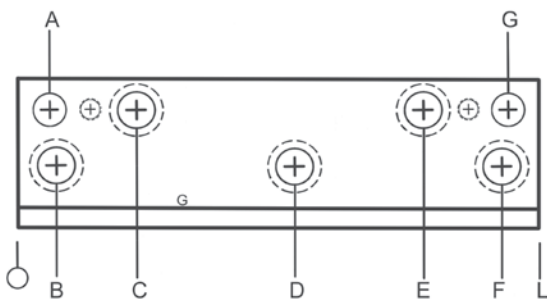
FOR 4.0" TO 6.0" LENGTHS



FOR 8.0" LENGTHS



FOR 10.0" LENGTHS



Part Number	Length L (in)	H (in)	J (in)	K (in)
14KH32G	4.00	2.62	1.750	1.50
14KH40G	5.00			
14KH48G	6.00			
14KH64G	8.00			
14KH80G	10.00			
14KH96G	12.00			
16KH32G	4.00	2.88	2.000	1.50
16KH40G	5.00			
16KH48G	6.00			
16KH64G	8.00			
16KH80G	10.00			
16KH96G	12.00			
18KH32G	4.00	3.12	2.250	1.50
18KH40G	5.00			
18KH48G	6.00			
18KH64G	8.00			
18KH80G	10.00			
18KH96G	12.00			

Heavy Duty KH Series Self-Lubricating Keeper Blocks

GENERAL DIMENSIONS	Length	Mounting	Mounting Hole Location						
	L (in)	Hole Qty.	A (in)	B (in)	C (in)	D (in)	E (in)	F (in)	G (in)
	4.00	3	0.62	0.75	2.25	3.25	3.38	–	–
	5.00	3				4.25	4.38	–	–
	6.00	3				5.25	5.38	–	–
	8.00	4				5.75	7.25	7.38	–
	10.00	5				5.25	7.75	9.25	9.38
	12.00	5				5.75	9.75	11.25	11.38

Part Number	Length L (in)	H (in)	J (in)	K (in)
20KH32G	4.00	3.38	2.500	2.25
20KH40G	5.00			
20KH48G	6.00			
20KH64G	8.00			
20KH80G	10.00			
20KH96G	12.00			
22KH32G	4.00	3.62	2.750	2.25
22KH40G	5.00			
22KH48G	6.00			
22KH64G	8.00			
22KH80G	10.00			
22KH96G	12.00			
24KH32G	4.00	3.88	3.000	2.25
24KH40G	5.00			
24KH48G	6.00			
24KH64G	8.00			
24KH80G	10.00			
24KH96G	12.00			

MATERIALS:

- ◆ High quality carburized steel with oil-impregnated graphite plugs. They are precision ground and hardened to Rc56-62.

TOLERANCES:

- ◆ J Dimension ± 0.001 in.

MOUNTING SCREWS:

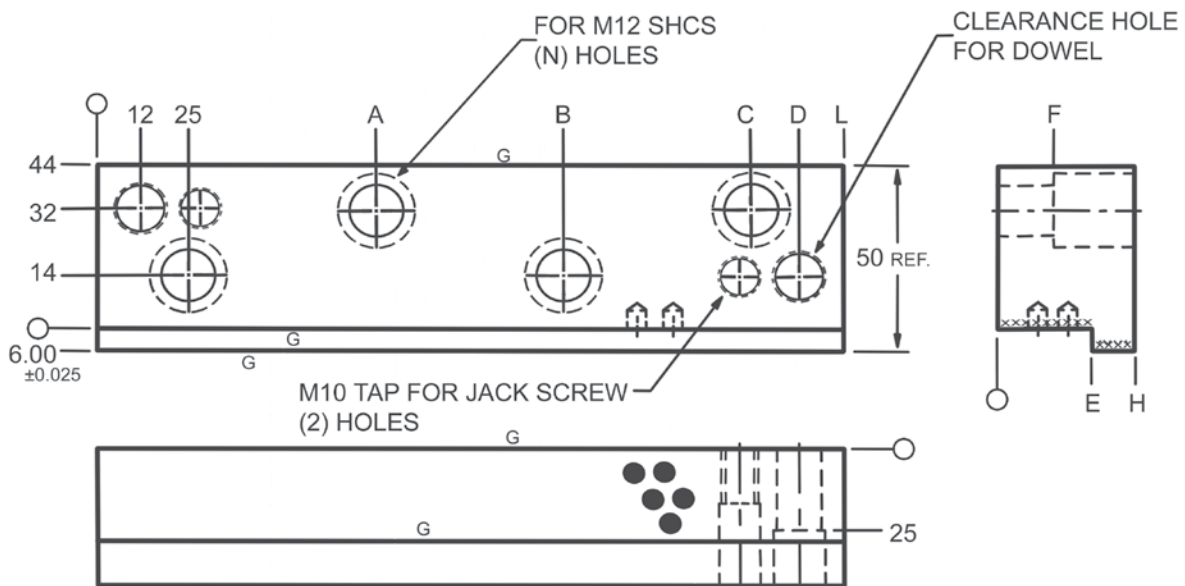
- ◆ 5/8" S.H.C.S. recommended for mounting

Self-Lubricating 6mm LIP Keeper Blocks – Metric



Product Features

These metric Keeper blocks fully meet the NAAMS standard. The oil-impregnated graphite plugs cover 20-30% of the wear surface, ensuring self-lubrication. They are available with dowel holes. For ease of identification, all parts are marked with the part number and NAAMS code.



MATERIALS:

- ◆ High quality carburized steel with oil-impregnated graphite plugs. They are precision ground and hardened to Rc56-62.

TOLERANCES:

- ◆ Mounting hole locations $\pm 0.25\text{mm}$
- ◆ Dowel holes $\pm 0.10\text{mm}$

MOUNTING SCREWS:

- ◆ M12 S.H.C.S. recommended for mounting

Self-Lubricating 6mm LIP Keeper Blocks – Metric

Part Number	NAAMS Code	Length L (mm)	Hole Qty.	Mounting Hole Location				E (mm)	F (mm)	H (mm)
				A (mm)	B (mm)	C (mm)	D (mm)			
Q25K75G	R 012507	75	2	–	–	50	63	25.00	15	37
Q25K100G	R 012510	100	2	–	–	75	88			
Q25K125G	R 012512	125	3	–	62.5	100	113			
Q25K150G	R 012515	150	3	–	75.0	125	138			
Q25K175G	R 012517	175	3	–	87.5	150	163			
Q25K200G	R 012520	200	4	75	125.0	175	188			
Q32K75G	R 013207	75	2	–	–	50	63	32.00	15	45
Q32K100G	R 013210	100	2	–	–	75	88			
Q32K125G	R 013212	125	3	–	62.5	100	113			
Q32K150G	R 013215	150	3	–	75.0	125	138			
Q32K175G	R 013217	175	3	–	87.5	150	163			
Q32K200G	R 013220	200	4	75	125.0	175	188			
Q37K75G	R 013707	75	2	–	–	50	63	37.00	30	50
Q37K100G	R 013710	100	2	–	–	75	88			
Q37K125G	R 013712	125	3	–	62.5	100	113			
Q37K150G	R 013715	150	3	–	75.0	125	138			
Q37K175G	R 013717	175	3	–	87.5	150	163			
Q37K200G	R 013720	200	4	75	125.0	175	188			
Q48K75G	R 014807	75	2	–	–	50	63	48.00	30	60
Q48K100G	R 014810	100	2	–	–	75	88			
Q48K125G	R 014812	125	3	–	62.5	100	113			
Q48K150G	R 014815	150	3	–	75.0	125	138			
Q48K175G	R 014817	175	3	–	87.5	150	163			
Q48K200G	R 014820	200	4	75	125.0	175	188			
Q48K250G	R 014825	250	4	95	165.0	225	238			
Q55K75G	R 015507	75	2	–	–	50	63	55.00	30	75
Q55K100G	R 015510	100	2	–	–	75	88			
Q55K125G	R 015512	125	3	–	62.5	100	113			
Q55K150G	R 015515	150	3	–	75.0	125	138			
Q55K175G	R 015517	175	3	–	87.5	150	163			
Q55K200G	R 015520	200	4	75	125.0	175	188			
Q55K250G	R 015525	250	4	95	165.0	225	238			

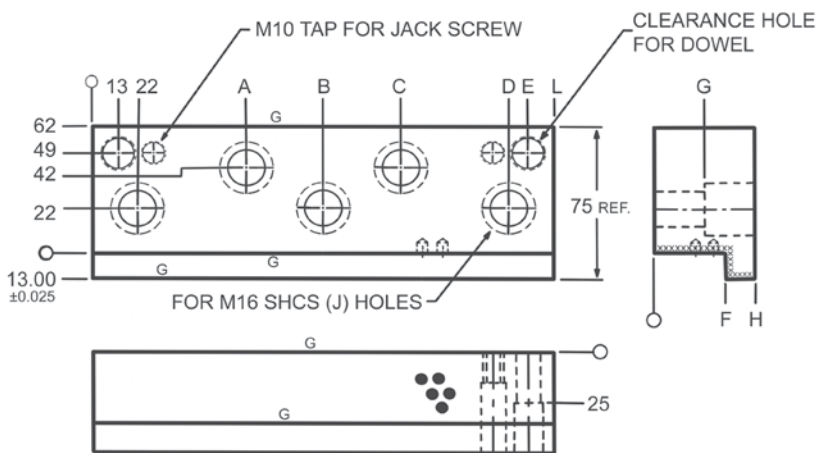
NOTE: Remove "Q" prefix for unfinished dowel holes.

Self-Lubricating 13mm LIP Keeper Blocks – Metric



Product Features

These metric Keeper blocks fully meet the NAAMS standard. The oil-impregnated graphite plugs cover 20-30% of the wear surface, ensuring self-lubrication. They are available with dowel holes. For ease of identification, all parts are marked with the part number and NAAMS code.



MATERIALS:

- ◆ High quality carburized steel with oil-impregnated graphite plugs. They are precision ground and hardened to Rc56-62.

TOLERANCES:

- ◆ Mounting hole locations $\pm 0.25\text{mm}$
- ◆ Dowel holes $\pm 0.10\text{mm}$

MOUNTING SCREWS:

- ◆ M16 S.H.C.S. recommended for mounting.

Part Number	NAAMS Code	Length L (mm)	Hole Qty.	Mounting Hole Location					F (mm)	G (mm)	H (mm)
				A (mm)	B (mm)	C (mm)	D (mm)	E (mm)			
Q35KN100G	R 023510	100	2	–	–	–	78	87	35.00	25	50
Q35KN125G	R 023512	125	3	62.5	–	–	103	112			
Q35KN150G	R 023515	150	3	75.0	–	–	128	137			
Q35KN200G	R 023520	200	4	75.0	–	125	178	187			
Q35KN225G	R 023522	225	5	75.0	112.5	150	203	212			
Q35KN250G	R 023525	250	5	75.0	125.0	175	228	237			
Q35KN300G	R 023530	300	5	75.0	150.0	225	278	287			
Q40KN100G	R 024010	100	2	–	–	–	78	87	40.00	25	60
Q40KN125G	R 024012	125	3	62.5	–	–	103	112			
Q40KN150G	R 024015	150	3	75.0	–	–	128	137			
Q40KN200G	R 024020	200	4	75.0	–	125	178	187			
Q40KN225G	R 024022	225	5	75.0	112.5	150	203	212			
Q40KN250G	R 024025	250	5	75.0	125.0	175	228	237			
Q40KN300G	R 024030	300	5	75.0	150.0	225	278	287			

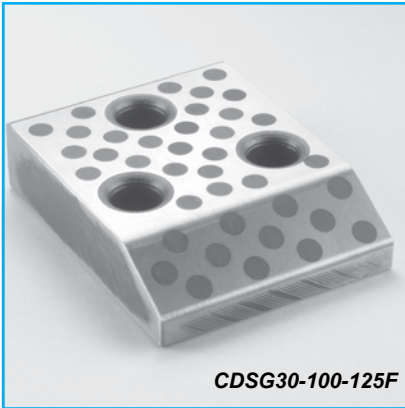
NOTE: Remove "Q" prefix for unfinished dowel holes.

Self-Lubricating 13mm LIP Keeper Blocks – Metric

Part Number	NAAMS Code	Length L (mm)	Hole Qty.	Mounting Hole Location					F (mm)	G (mm)	H (mm)
				A (mm)	B (mm)	C (mm)	D (mm)	E (mm)			
Q50KN100G	R 025010	100	2	–	–	–	78	87	50.00	30	70
Q50KN125G	R 025012	125	3	62.5	–	–	103	112			
Q50KN150G	R 025015	150	3	75.0	–	–	128	137			
Q50KN200G	R 025020	200	4	75.0	–	125	178	187			
Q50KN225G	R 025022	225	5	75.0	112.5	150	203	212			
Q50KN250G	R 025025	250	5	75.0	125.0	175	228	237			
Q50KN300G	R 025030	300	5	75.0	150.0	225	278	287			
Q55KN100G	R 025510	100	2	–	–	–	78	87	55.00	35	80
Q55KN125G	R 025512	125	3	62.5	–	–	103	112			
Q55KN150G	R 025515	150	3	75.0	–	–	128	137			
Q55KN200G	R 025520	200	4	75.0	–	125	178	187			
Q55KN225G	R 025522	225	5	75.0	112.5	150	203	212			
Q55KN250G	R 025525	250	5	75.0	125.0	175	228	237			
Q55KN300G	R 025530	300	5	75.0	150.0	225	278	287			
Q65KN100G	R 026510	100	2	–	–	–	78	87	65.00	45	90
Q65KN125G	R 026512	125	3	62.5	–	–	103	112			
Q65KN150G	R 026515	150	3	75.0	–	–	128	137			
Q65KN200G	R 026520	200	4	75.0	–	125	178	187			
Q65KN225G	R 026522	225	5	75.0	112.5	150	203	212			
Q65KN250G	R 026525	250	5	75.0	125.0	175	228	237			
Q65KN300G	R 026530	300	5	75.0	150.0	225	278	287			
Q75KN100G	R 027510	100	2	–	–	–	78	87	75.00	45	100
Q75KN125G	R 027512	125	3	62.5	–	–	103	112			
Q75KN150G	R 027515	150	3	75.0	–	–	128	137			
Q75KN200G	R 027520	200	4	75.0	–	125	178	187			
Q75KN225G	R 027522	225	5	75.0	112.5	150	203	212			
Q75KN250G	R 027525	250	5	75.0	125.0	175	228	237			
Q75KN300G	R 027530	300	5	75.0	150.0	225	278	287			
Q95KN100G	–	100	2	–	–	–	78	87	95.00	45	120
Q95KN125G	–	125	3	62.5	–	–	103	112			
Q95KN150G	–	150	3	75.0	–	–	128	137			
Q95KN200G	–	200	4	75.0	–	125	178	187			
Q95KN225G	–	225	5	75.0	112.5	150	203	212			
Q95KN250G	–	250	5	75.0	125.0	175	228	237			
Q95KN300G	–	300	5	75.0	150.0	225	278	287			

NOTE: Remove "Q" prefix for unfinished dowel holes.

Self-Lubricating Cam Dwell Wearplates



Product Features

The cam dwell series of wearplates are available in 30, 45 and 60mm thicknesses and in widths of 100, 125 and 160mm. They are available in plain steel and self-lubricating versions and fully meet the NAAMS standard. For ease of identification, all plates are marked with the part number and NAAMS code.

MATERIALS:

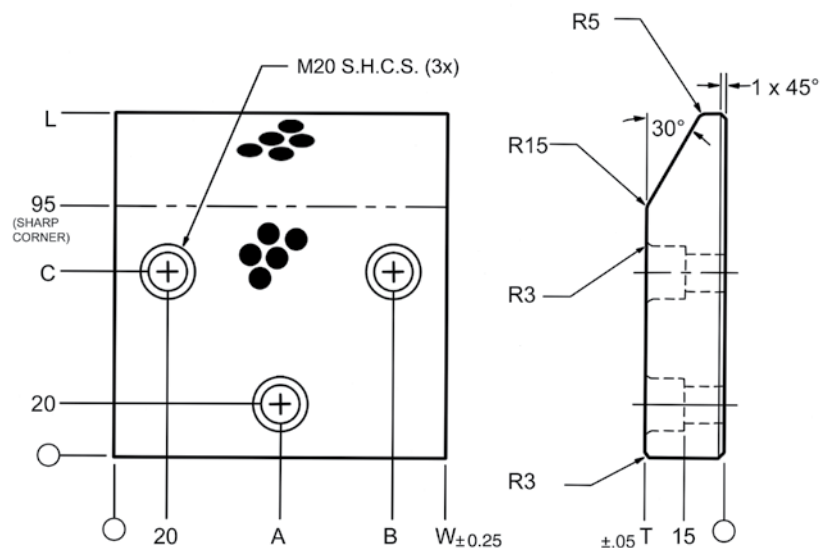
- ◆ Steel plates are manufactured from high quality carburized steel. They are precision ground and hardened to Rc56-62. They are available with or without oil-impregnated graphite plugs. When supplied with graphite plugs, the plugs cover 20-30% of the wear surface and the plates are self-lubricating.
- ◆ Bronze plates are self-lubricating and manufactured from bronze material with oil-impregnated graphite plugs covering 20-30% of the wear surface.

TOLERANCES:

- ◆ Thickness ± 0.05 mm
- ◆ Width ± 0.05 mm
- ◆ Unless otherwise noted ± 0.25 mm

MOUNTING SCREWS:

- ◆ 3-M12 S.H.C.S. are recommended for mounting. 14mm drill thru, 20mm counterbore in plate.

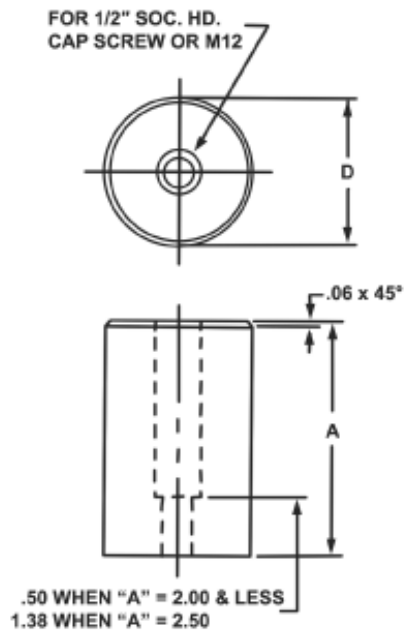


Steel Plain		Steel Self-Lubricating		Bronze Self-Lubricating		T (mm)	W (mm)	L (mm)	A (mm)	B (mm)	C (mm)
Part Number	NAAMS Code	Part Number	NAAMS Code	Part Number	NAAMS Code						
CDSX30100125F	W 211210	CDSG30100125F	W 111210	CDYG30100125F	W 311210	30	100	125	50.0	80	70
CDSX30125125F	W 211212	CDSG30125125F	W 111212	CDYG30125125F	W 311212		125		62.5	105	
CDSX30160125F	W 211216	CDSG30160125F	W 111216	CDYG30160125F	W 311216		160		80.0	140	
CDSX45100150F	W 211510	CDSG45100150F	W 111510	CDYG45100150F	W 311510	45	100	150	50.0	80	65
CDSX45125150F	W 211512	CDSG45125150F	W 111512	CDYG45125150F	W 311512		125		62.5	105	
CDSX45160150F	W 211516	CDSG45160150F	W 111516	CDYG45160150F	W 311516		160		80.0	140	
CDSX60100170F	W 211710	CDSG60100170F	W 111710	CDYG60100170F	W 311710	60	100	170	50.0	80	65
CDSX60125170F	W 211712	CDSG60125170F	W 111712	CDYG60125170F	W 311712		125		62.5	105	
CDSX60160170F	W 211716	CDSG60160170F	W 111716	CDYG60160170F	W 311716		160		80.0	140	

Stop Blocks – Inch

Product Features

These stop blocks are precision machined from 1018 material. Additionally, the blocks are inspected to provide uniform quality and dimensions. The length dimension is .060" oversize.



Part Number	Diameter D (in)	Length A (in)
20-150CSB	2.00	1.50
20-200CSB	2.00	2.00
20-250CSB		2.50
20-300CSB	2.00	3.00
20-350CSB		3.50
20-400CSB	2.00	4.00
20-425CSB		4.25
20-475CSB	2.00	4.75
20-525CSB		5.25
20-550CSB	2.00	5.50
20-600CSB		6.00
20-650CSB	2.50	6.50
25-150CSB		1.50
25-200CSB	2.50	2.00
25-250CSB		2.50
25-300CSB	2.50	3.00
25-350CSB		3.50
25-400CSB	2.50	4.00
25-425CSB		4.25
25-475CSB	2.50	4.75
25-525CSB		5.25
25-550CSB	2.50	5.50
25-600CSB		6.00
25-650CSB	2.50	6.50

Pad Retainers – Locking Inch, Standard Mount

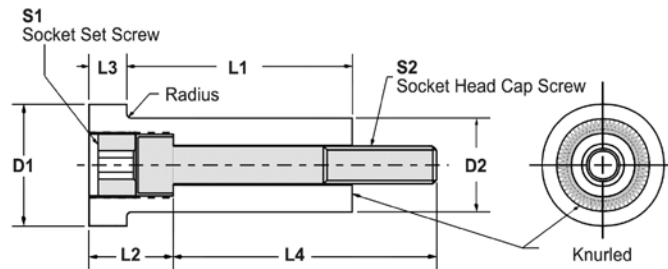


Product Features

Pad retainers are manufactured from 1144 steel and hardened to 28-34 Rockwell C-scale. They are machined to precise tolerances in order to retain the pad and assure parallelism during use. The NP Series is also available, by special order, that offers three prongs as opposed to knurl.

PART NO.	Diam.		Length	L2 (in)	L3 (in)	L4 (in)	S1 (in)	S2 (in)
	D1 (in)	D2 (in)						
100-100	1.00	.75	1.00	1.00	.38	1.00	5/8 – 18	5/16 – 18
100-125			1.25					
100-150			1.50					
100-175			1.75					
100-200			2.00					
100-225			2.25					
100-250			2.50					
100-275			2.75					
100-300			3.00					
100-325			3.25					
100-350			3.50					
106-100	1.06	.81	1.00	1.00	.375	1.00	5/8 - 18	5/16 - 18
106-125			1.25					
106-150			1.50					
106-175			1.75					
106-200			2.00					
106-225			2.25					
106-250			2.50					
106-275			2.75					
106-300			3.00					
106-325			3.25					
106-350			3.50					
125-100	1.25	1.00	1.00	1.12	.50	1.00	3/4 – 16	3/8 – 16
125-125			1.25					
125-150			1.50					
125-175			1.75					
125-200			2.00					
125-225			2.25					
125-250			2.50					
125-275			2.75					
125-300			3.00					
125-325			3.25					
125-350			3.50					
125-375			3.75					
125-400			4.00					
125-450			4.50					
125-500			5.00					
125-550			5.50					
125-600	6.00							
162-100	1.62	1.25	1.00	1.12	.50	1.25	7/8 – 14	1/2 – 13
162-125			1.25					
162-150			1.50					
162-175			1.75					
162-200			2.00					
162-225			2.25					
162-250			2.50					
162-275			2.75					
162-300			3.00					
162-325			3.25					
162-350			3.50					
162-375	3.75							

Pad Retainers – Locking Inch, Standard Mount



ASSEMBLY INCLUDES:

- Retainer Body
- Socket Head Cap Screws
- Socket Set Screw

PART NO.	Diam.		Length	L2 (in)	L3 (in)	L4 (in)	S1 (in)	S2 (in)
	D1 (in)	D2 (in)						
162-400	1.62	1.25	4.00	1.12	.50	4.25	7/8 – 14	1/2 – 13
162-450			4.50			4.75		
162-500			5.00			5.25		
162-550			5.50			6.00		
162-600			6.00			6.50		
187-125	1.87	1.50	1.25	1.25	.50	1.50	1-1/8 – 12	5/8 – 11
187-150			1.50			1.75		
187-175			1.75			2.00		
187-200			2.00			2.25		
187-225			2.25			2.50		
187-250			2.50			2.75		
187-275			2.75			3.00		
187-300			3.00			3.25		
187-325			3.25			3.50		
187-350			3.50			3.75		
187-375			3.75			4.00		
187-400			4.00			4.25		
187-450			4.50			5.00		
187-500			5.00			5.50		
187-550			5.50			6.00		
187-600	6.00	6.50						
200-150	2.00	1.62	1.50	1.38	.50	2.00	1-1/4 – 12	3/4 – 10
200-175			1.75			2.25		
200-200			2.00			2.50		
200-225			2.25			2.75		
200-250			2.50			3.00		
200-275			2.75			3.25		
200-300			3.00			3.50		
200-325			3.25			3.75		
200-350			3.50			4.00		
200-375			3.75			4.25		
200-400			4.00			4.50		
200-450			4.50			5.00		
200-500			5.00			5.50		
200-550			5.50			6.00		
200-600			6.00			6.50		

PART NO.	RADIUS (in)	LOAD RATING lbs.
100-XXX	.03	1,500
106-XXX	.03	1,500
125-XXX	.03	3,000
162-XXX	.06	5,000
187-XXX	.06	7,500
200-XXX	.06	10,000

Pad Retainers – Locking Inch, Standard Mount with Flats

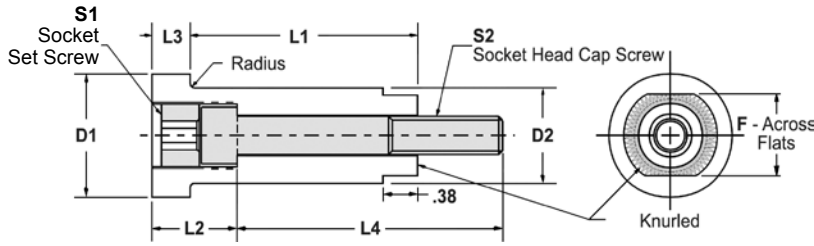


Product Features

Pad retainers are manufactured from 1144 steel and hardened to 28-34 Rockwell C-scale. They are machined to precise tolerances in order to retain the pad and assure parallelism during use. The NP Series is also available, by special order, that offers three prongs as opposed to knurl.

PART NO.	Diam.		Length	L2 (in)	L3 (in)	L4 (in)	S1 (in)	S2 (in)
	D1 (in)	D2 (in)						
100-100F	1.00	.75	1.00	1.00	.38	1.00	5/8 – 18	5/16 – 18
100-125F			1.25			1.25		
100-150F			1.50			1.50		
100-175F			1.75			1.75		
100-200F			2.00			2.00		
100-225F			2.25			2.25		
100-250F			2.50			2.50		
100-275F			2.75			2.75		
100-300F			3.00			3.00		
100-325F			3.25			3.25		
100-350F			3.50			3.50		
106-100F			1.06			.81		
106-125F	1.25	1.25						
106-150F	1.50	1.50						
106-175F	1.75	1.75						
106-200F	2.00	2.00						
106-225F	2.25	2.25						
106-250F	2.50	2.50						
106-275F	2.75	2.75						
106-300F	3.00	3.00						
106-325F	3.25	3.25						
106-350F	3.50	3.50						
125-100F	1.25	1.00		1.00	1.12		.50	3/4 – 16
125-125F			1.25	1.25				
125-150F			1.50	1.50				
125-175F			1.75	1.75				
125-200F			2.00	2.00				
125-225F			2.25	2.25				
125-250F			2.50	2.50				
125-275F			2.75	2.75				
125-300F			3.00	3.00				
125-325F			3.25	3.25				
125-350F			3.50	3.50				
125-375F			3.75	3.75				
125-400F			4.00	4.00				
125-450F			4.50	4.50				
125-500F			5.00	5.00				
125-550F			5.50	5.50				
125-600F	6.00	6.00						
162-100F	1.62	1.25	1.00	1.12	.50	7/8 – 14	1/2 – 13	
162-125F			1.25					1.50
162-150F			1.50					1.75
162-175F			1.75					2.00
162-200F			2.00					2.25
162-225F			2.25					2.50
162-250F			2.50					2.75
162-275F			2.75					3.00
162-300F			3.00					3.25
162-325F			3.25					3.50
162-350F			3.50					3.75
162-375F			3.75					4.00

Pad Retainers – Locking Inch, Standard Mount with Flats



ASSEMBLY INCLUDES:

- Retainer Body
- Socket Head Cap Screws
- Socket Set Screw

PART NO.	Diam. D1 (in)	Diam. D2 (in)	Diam. ± .005	Length L1 (in)	L2 (in)	L3 (in)	L4 (in)	S1 (in)	S2 (in)
162-400F	1.62	1.25	4.00	1.12	.50	4.25	7/8 – 14	1/2 – 13	
162-450F			4.50			4.75			
162-500F			5.00			5.25			
162-550F			5.50			6.00			
162-600F			6.00			6.50			
187-125F	1.87	1.50	1.25	1.25	.50	1.50	1-1/8 - 12	5/8 – 11	
187-150F			1.50			1.75			
187-175F			1.75			2.00			
187-200F			2.00			2.25			
187-225F			2.25			2.50			
187-250F			2.50			2.75			
187-275F			2.75			3.00			
187-300F			3.00			3.25			
187-325F			3.25			3.50			
187-350F			3.50			3.75			
187-375F			3.75			4.00			
187-400F			4.00			4.25			
187-450F			4.50			5.00			
187-500F			5.00			5.50			
187-550F			5.50			6.00			
187-600F	6.00	6.50							
200-150F	2.00	1.62	1.50	1.38	.50	2.00	1-1/4 – 12	3/4 – 10	
200-175F			1.75			2.25			
200-200F			2.00			2.50			
200-225F			2.25			2.75			
200-250F			2.50			3.00			
200-275F			2.75			3.25			
200-300F			3.00			3.50			
200-325F			3.25			3.75			
200-350F			3.50			4.00			
200-375F			3.75			4.25			
200-400F			4.00			4.50			
200-450F			4.50			5.00			
200-500F			5.00			5.50			
200-550F			5.50			6.00			
200-600F			6.00			6.50			

PART NO.	F (in)	RADIUS (in)	LOAD RATING lbs.
100-XXX	.625	.03	1,500
106-XXX	.690	.03	1,500
125-XXX	.875	.03	3,000
162-XXX	1.125	.06	5,000
187-XXX	1.250	.06	7,500
200-XXX	1.375	.06	10,000

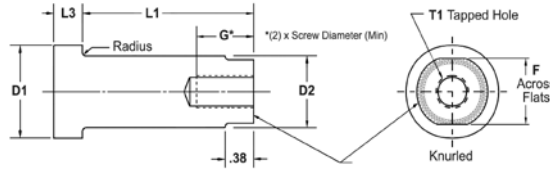
Pad Retainers – Locking Inch, Standard Mount with Flats



125-250R

Product Features

Pad retainers are manufactured from 1144 steel and hardened to 28-34 Rockwell C-scale. They are machined to precise tolerances in order to retain the pad and assure parallelism during use.



PART NO.	F (in)	RADIUS (in)	LOAD RATING lbs.
100-XXXR	.625	.03	1,500
106-XXXR	.690	.03	1,500
125-XXXR	.875	.03	3,000
162-XXXR	1.125	.06	5,000
187-XXXR	1.250	.06	7,500
200-XXXR	1.375	.06	10,000

PART NO.	Diam. ± .005		Length	G (in)	L3 (in)	T1 (in)					
	D1 (in)	D2 (in)									
100-100R	1.00	.75	1.00	.625	.38	5/16 – 18					
100-125R			1.25								
100-150R			1.50								
100-175R			1.75								
100-200R			2.00								
100-225R			2.25								
100-250R			2.50								
100-275R			2.75								
100-300R			3.00								
100-350R			3.50								
100-375R			3.75								
100-400R			4.00								
100-450R			4.50								
100-500R			5.00								
100-550R			5.50								
100-600R	6.00										
106-100R	1.06	.81	1.00	.625	.38	5/16 – 18					
106-125R			1.25								
106-150R			1.50								
106-175R			1.75								
106-200R			2.00								
106-225R			2.25								
106-250R			2.50								
106-275R			2.75								
106-300R			3.00								
106-325R			3.25								
106-350R			3.50								
125-100R			1.25				1.00	1.00	.750	.50	3/8 – 16
125-125R								1.25			
125-150R								1.50			
125-175R								1.75			
125-200R	2.00										
125-225R	2.25										
125-250R	2.50										
125-275R	2.75										
125-300R	3.00										
125-325R	3.25										
125-350R	3.50										
125-375R	3.75										
125-400R	4.00										
125-450R	4.50										
125-500R	5.00										
125-550R	5.50										
125-600R	6.00										

PART NO.	Diam. ± .005		Length	G (in)	L3 (in)	T1 (in)
	D1 (in)	D2 (in)				
100-125R	1.62	1.25	1.25	1.000	.50	1/2 – 13
162-150R			1.50			
162-175R			1.75			
162-200R			2.00			
162-225R			2.25			
162-250R			2.50			
162-275R			2.75			
162-300R			3.00			
162-325R			3.25			
162-350R			3.50			
162-375R			3.75			
162-400R			4.00			
162-450R			4.50			
162-500R			5.00			
162-550R			5.50			
162-600R	6.00					
187-150R	1.87	1.50	1.50	1.250	.50	5/8 – 11
187-175R			1.75			
187-200R			2.00			
187-225R			2.25			
187-250R			2.50			
187-275R			2.75			
187-300R			3.00			
187-325R			3.25			
187-350R			3.50			
187-375R			3.75			
187-400R			4.00			
187-450R			4.50			
187-500R			5.00			
187-550R			5.50			
187-600R			6.00			
200-175R	2.00	1.62	1.75	1.500	.50	3/4 – 10
200-200R			2.00			
200-225R			2.25			
200-250R			2.50			
200-275R			2.75			
200-300R			3.00			
200-325R			3.25			
200-350R			3.50			
200-375R			3.75			
200-400R			4.00			
200-450R			4.50			
200-500R			5.00			
200-550R			5.50			
200-600R			6.00			

Pad Retainers – Standard Mount – Metric

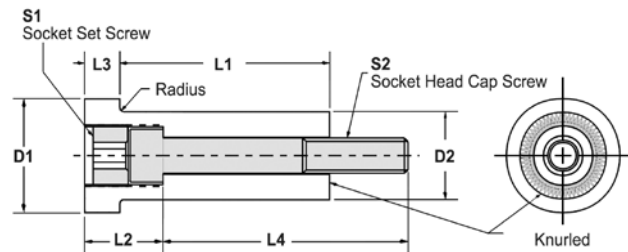
Product Features

These pad retainers are manufactured from 1144 steel and hardened to 28-34 Rockwell C-scale. They are machined to precise tolerances in order to retain the pad and assure parallelism during use.



PART NUMBER	D1	D2	L2	L3	S1	S2	LOAD RATING
NR50	50	40	35	15	M27 x 2	M16 x 2.0	192kN
NR70	70	60	40	15	M36 x 3	M20 x 2.5	299kN

PART NUMBER	Diam. D2 (mm)	Length L1 (mm)	Diam. D1 (mm)	Length L4 (mm)
NR50-30	40	30	50	40
NR50-40		40		45
NR50-45		45		50
NR50-50		50		55
NR50-60		60		65
NR50-65		65		70
NR50-70		70		75
NR50-75		75		75
NR50-90		90		100
NR50-100		100		110
NR50-115		115		120
NR50-130		130		140
NR50-140		140		150
NR50-160		160		170
NR70-40	60	40	70	45
NR70-45		45		50
NR70-50		50		55
NR70-60		60		65
NR70-65		65		70
NR70-70		70		75
NR70-75		75		75
NR70-90		90		100
NR70-100		100		110
NR70-115		115		120
NR70-130		130		140
NR70-140		140		150
NR70-160		160		170

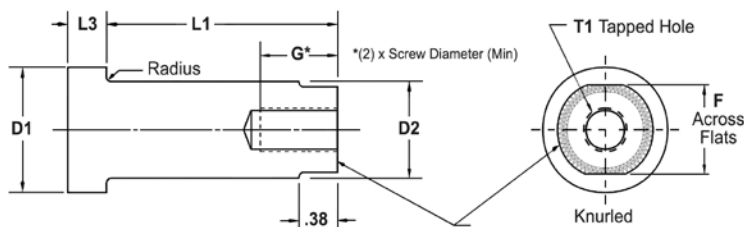


Pad Retainers – Reverse Mount – Metric



Product Features

These pad retainers are manufactured from 1144 steel and hardened to 28-34 Rockwell C-scale. They are machined to precise tolerances in order to retain the pad and assure parallelism during use.



PART NUMBER	D1	D2	F	LOAD L3	RATING
NR50	50	40	33.65	15	192kN
NR70	70	60	53.70	15	299kN

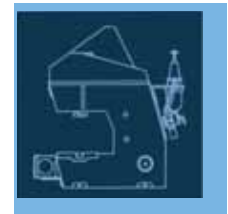
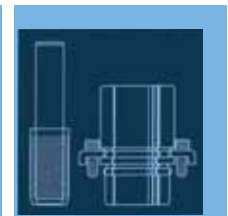
PART NUMBER	Diam. D2 (mm)	Length L1 (mm)	Diam. D1 (mm)	T1 (mm)			
NR50-30R	40	30	50	M16 x 2.0			
NR50-40R		40					
NR50-45R		45					
NR50-50R		50					
NR50-60R		60					
NR50-65R		65					
NR50-70R		70					
NR50-75R		75					
NR50-90R		90					
NR50-100R		100					
NR50-115R		115					
NR50-130R		130					
NR50-140R		140					
NR50-160R		160					
NR70-40R		60			40	70	M20 x 2.5
NR70-45R					45		
NR70-50R	50						
NR70-60R	60						
NR70-65R	65						
NR70-70R	70						
NR70-75R	75						
NR70-90R	90						
NR70-100R	100						
NR70-115R	115						
NR70-130R	130						
NR70-140R	140						
NR70-160R	160						

WEAR PRODUCTS

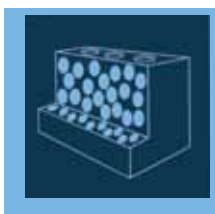
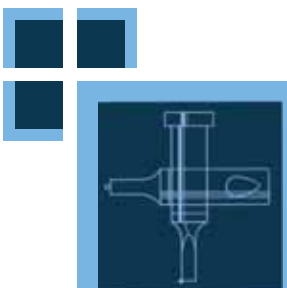
The Danly IEM Value Proposition

- I. **Danly IEM** is recognized as the leader in manufacturing quality die components to the global parts forming industry. Our reputation has been built by satisfying customer needs, and we are very strong in the automotive and appliance industries.
- II. **Danly IEM** offers outstanding delivery on a consistent basis. Choosing us as a supplier means that our customers have a competitive advantage in delivering their products to the market.
- III. **Danly IEM** has complex machining capabilities on die components at several facilities. With extensive machining capabilities in the USA and China, we have taken the lead role in creating and bringing new products to customers and helping them find solutions that improve their operations.
- IV. **Danly IEM's** vast breadth of products assures innovative solutions. We strive to address customer problems by utilizing our research and development department as well as other technical professionals.
- V. **Danly IEM** has a technically trained sales force and distributor channels with engineering support. Sales, marketing and engineering professionals are available to support our product lines.

- **Competitive Prices**
- **Reliability and Performance**



**...A LEADING MANUFACTURER
AND INNOVATOR OF DIE
COMPONENTS SUPPLIED
GLOBALLY TO THE METAL
FORMING INDUSTRY...**



- **High Quality Design & Construction**
- **Outstanding Service & Support**

Commitment to Quality & Customer Satisfaction

Dayton Lamina is a leading manufacturer of tool, die and mold components for the metal-working and plastics industries. As a customer-focused, world-class supplier of choice, we provide the brands, product breadth, distribution network and technical support for all your metal forming needs.

Our goal is to give our customers the most innovative and value-added products and services.



DAYTON Lamina™

a MISUMI Group Company



Lamina® LEMPCO

*Dayton Lamina's line of Danly products is available only to North America.

www.daytonlamina.com